



## Main

Range of product	Zelio Relay
Product or component type	Solid state relay
Device short name	SSLM
Network number of phases	1 phase

## Complementary

Mounting support	Symmetrical DIN rail
[In] rated current	3 A
Output voltage	5...60 V DC
[Uc] control circuit voltage	4...28 V DC
Contacts type and configuration	1 NO
Tightening torque	0.6...0.8 N.m
Connections - terminals	Screw terminals : 1 x 0.2...1 x 5.26 mm <sup>2</sup> (AWG 24...AWG 10)
Switching voltage	4 V DC turn-on
Load current	0...3 A
Voltage drop	<= 1 V on-state
Leakage current	<= 1 mA off-state
Response time	40 µs turn-on 40 µs turn-off
Overvoltage category	III
Width	7.5 mm
Height	80 mm
Depth	63 mm
Product weight	0.03 kg

## Environment

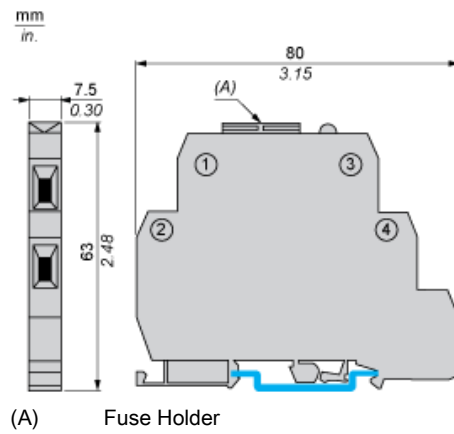
Dielectric strength	4000 V for input/output
---------------------	-------------------------

Pollution degree	2
Product certifications	EAC UL CSA
Marking	CSA UL EAC CE
Ambient air temperature for operation	0...70 °C

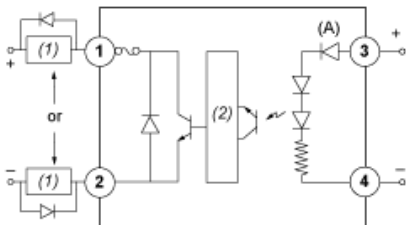
### Offer Sustainability

Sustainable offer status	Green Premium product
RoHS (date code: YYWW)	Compliant - since 1522 - Schneider Electric declaration of conformity <a href="#">Schneider Electric declaration of conformity</a>
REACH	Reference not containing SVHC above the threshold <a href="#">Reference not containing SVHC above the threshold</a>
Product environmental profile	Available <a href="#">Product Environmental Profile</a>
Product end of life instructions	Available <a href="#">End of Life Information</a>

Dimensions



## Wiring Diagram



- 1,2 : Field VDC (Supply through Load)
- 3, 4 : Vcc
- (1) Load
- (2) Amplifier
- (A) LED