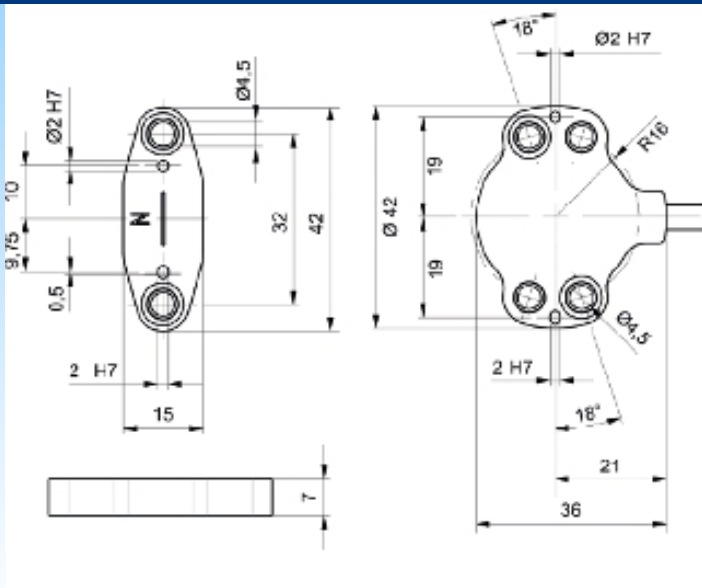


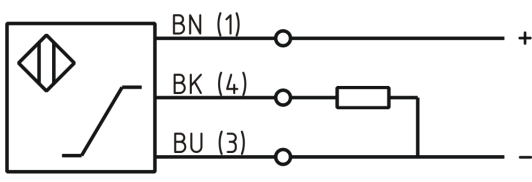


[Article Page](#)

Product Description **angle sensor**



Name	KW360-D42KN7-ANI-X0392
Order number	08330001135
Switching distance	6 mm
Mounting	 non shielded
Switch type	 analog current
Connection	connector M12
Connection diagramm	



Dimension (in mm)	D 42 x 7
-------------------	----------

Technical Specification

Special features	Supply with Target-Magnet NdFeB 55/100 42x7
Operating voltage	10 - 30 V DC
Max. ripple	≤ 10 %
Voltage drop	1 V
Max. load current	35 mA
No load current	≤ 15 mA
Operating temperature	-40 ° C to 85 ° C
Temperature drift	+/- 0,5 %
Linearity	± 1,5 % (bei Ta = 25°C)
Analog output	Pulso_has1

Time delay	15 ms
Resolution	12 Bit DAC über den gesamten Winkelbereich
Inclination angle	360°
Output current	4 ... 20 mA
Short-circuit proof	yes
Overload protection	yes
Reverse voltage protection	yes
Protection category	IP67
EMC-level	DIN EN 60947-5-2:2008
Housing material	PA 6.6
Number of terminals	3
Cable length	300 mm
Utilisation category	DC 13
Cable material	PUR
Cable cross	3x0.34
Termination	M12-pigtail 300mm

Errors and omissions excepted