



### Capacity up to 5000 kg

#### DESCRIPTION

- Die-cast aluminum crane scale complete with upper shackle and lower swivel hook; suitable for bridge crane.
- 5-digit semi-alphanumeric red LED display (30 mm height).
- 6 signalling LED.
- IP64 protection rating.
- Brightness control.
- 6 V rechargeable internal battery, 3,2 Ah capacity (spare battery included).
- Operating time: 80 hours.
- External battery charger 230 VAC included.
- Remote control with range up to 10 m line of sight.

#### MAIN FUNCTIONS

- HOLD function (lock of the displayed weight).
- Number of weighed values and totalized weight value.
- Semi-automatic tare (net/gross weight) and preset tare.
- Weight zero setting.
- Tare weight zero setting.
- Storing of the number of overloadings.
- Reading division setting.
- Units of measure setting: kg - lb.
- Energy saving mode.
- Auto power-off.



CAPACITY	kg	DIVISION (kg)	NET WEIGHT (kg)	CODE
3000		e=0.5	11.5	DTER3
5000		e=1	15.5	DTER5

#### CERTIFICATIONS

**UK CA** Equivalent of the CE marking for the United Kingdom

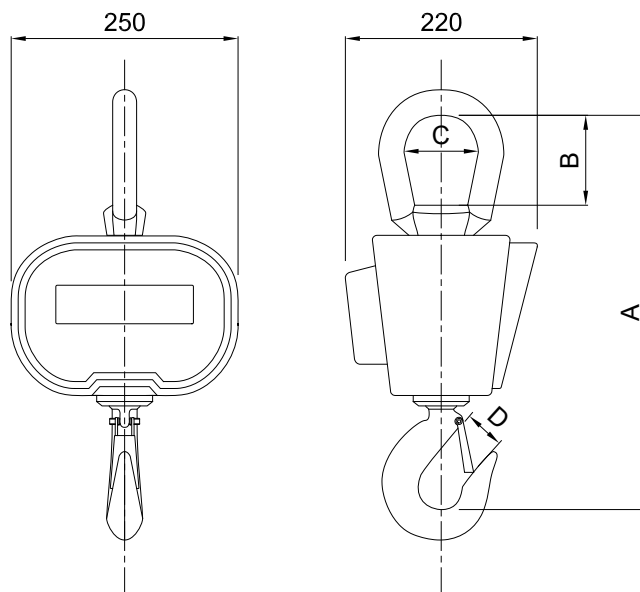
CERTIFICATIONS ON REQUEST

CODE

✓ Linearity test

TARATURA

### DIMENSIONS (mm)



mm	DTER3	DTER5
A	420	480
B	100	115
C	70	85
D	35	40

### TECHNICAL FEATURES

Accuracy class (% of full scale)	± 0.03%
Safe overload (% of full scale)	150%
Ultimate overload (% of full scale)	400%
Humidity (condensate free)	10 ÷ 90%
Working temperature	-10°C +40°C