



TP04

Temperature Transmitter (2-wire for Duct Type)

Temperature

www.eyc-tech.com



Feature

- SS Housing, all-in design with anti-condensation function and good heat dissipation
- Good measuring repeatability and anti-interference
- Monitoring for long-distance temperature signal transmission
- Signal transfer from PT sensor to 4 ... 20 mA
- With SD05 integrated signal indicator for local display(Optional)

Application

- For industries in heating / Ventilation / Air conditioning / Cooling / Water power / Electricity, etc. / For process in agriculture / Green house / Environmental engineering / Food / Pharmaceutical industry / Machinery manufacturing / Storage tank / Compressor / Hydraulic equipment

Specification

Input

Input	RTD Pt100 Ω
Pt100 Ω sensor current	<0.8 mA
ZERO adjustment range	$\pm 10\%$
SPAN adjustment range	$\pm 10\%$

Output

Accuracy	$\pm 0.5\%$ of F.S.
Output	DC 4 ... 20 mA(2-wire)
Load resistance	$\leq (\text{Supply voltage} - 8\text{ V}) / 0.02\text{ A}$
Power stability	$\pm 0.025\% / \text{V}$

Temperature

Temperature drift	< $\pm 0.015\%$ F.S. / $^{\circ}\text{C}$
Calibration temperature	20 ... 28 $^{\circ}\text{C}$
Response time	<250 ms

Protection

Medium	Air
Power supply	DC 10 ... 30 V
Operating environment	-20 ... 80 $^{\circ}\text{C}$; 100%RH(Non-condensing)
Electrical connector	DIN 43650 ABS

Protection / Material

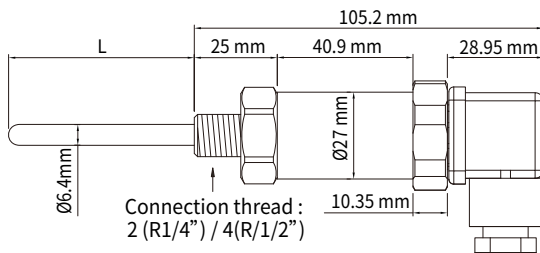
Pt100 Ω signal disconnection protection & output	>23 mA
Pt100 Ω signal short circuit protection & output	<3 mA
Output polarity protection	Yes
IP rating	IP65
Housing	SUS304
Weight	50 mm : 250 g / 200 mm : 260 g

Option

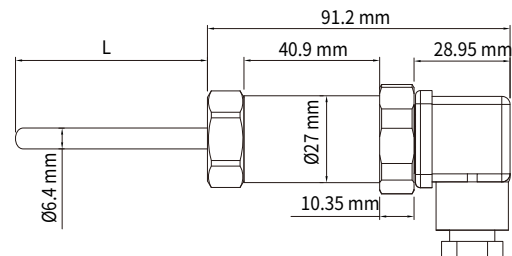
Sleeve pipe / Size	30 / 80 / 130 / 180 mm R1/2" sleeve
--------------------	-------------------------------------

Dimension

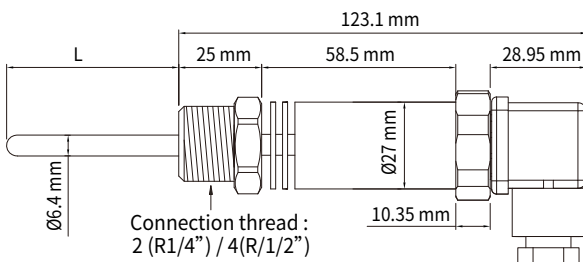
Standard Type(0 ... 80 $^{\circ}\text{C}$)



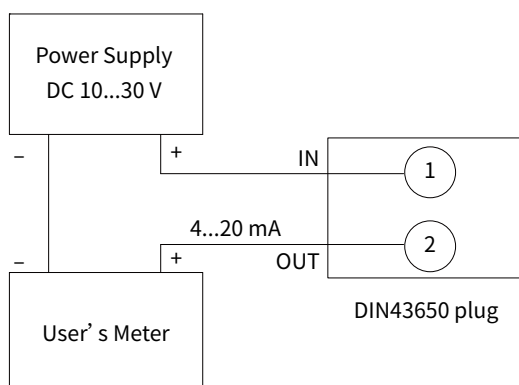
Adjustable outside-thread Type



Heat Sink Type(max. 100 $^{\circ}\text{C}$)



Diagram



Ordering Guide

Type	TP	04	-	1	1	4	1	-	1	0	N
Installation	Duct Type	04									
Input	Pt100 Ω		-	1							
Output	4 ... 20 mA(2-wire)				1						
Process connection	1/4" PT outside thread 1/2" PT outside thread 1/4" PT movable outside thread 1/2" PT movable outside thread w/o outside thread / special thread					2 4 A B 0					
Length(L)	50 mm 100 mm 150 mm 200 mm Customization						1 2 3 4 0				
Temp. range	-50 ... +50°C -50 ... 0°C 0 ... 50°C 0 ... 100°C 0 ... 200°C Special span							- - - - - -	1 2 3 4 5 W		
Housing	Standard Heat sink									N 0	
Option	None Thermo sleeve (please note specifications, for example: standard Ø9.5, connecting thread 1/4 "PT or 1/2" PT and the length under the thread Other (please note specifications)										N T W

| Additional Option (ILAC / TAF) Test Report |



Additional option: (ILAC / TAF) Test report - Standard calibration laboratory (TAF accreditation: 3032, complying with ISO / IEC 17025)
TAF has mutual recognition arrangement with ILAC MRA

Project	Measurand level or range
Resistance thermometer	-40°C ... +300°C
Thermocouple thermometer	-20°C ... +300°C