

# SS300 / LS300

S-Type Load Cell

50, 100, 150, 200, 300, 500 kgf, 1, 2, 3, 5, 10tf



## FEATURES

- Tension or compression applications
- Suitable for hanging scales
- Protection class IP66

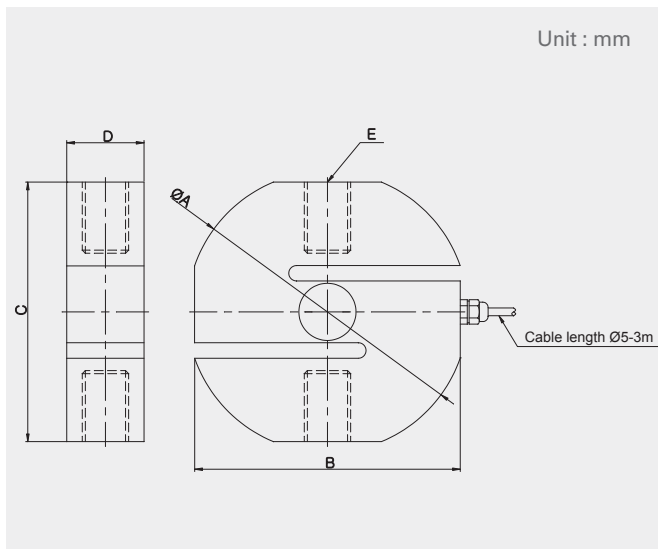
## Material

- Nickel plated steel (SS300)
- Stainless Steel (LS300)

## Cable

- Braided shield 4-wire round cable with PVC - jacket

## DIMENSIONS



| Model          | Capacity | ØA  | B   | C   | D       | E        |
|----------------|----------|-----|-----|-----|---------|----------|
| SS300<br>LS300 | 50 kgf   | 79  | 74  | 76  | 19      | M12x1.75 |
|                | 100 kgf  |     |     |     |         |          |
|                | 150 kgf  |     |     |     |         |          |
|                | 200 kgf  |     |     |     |         |          |
|                | 300 kgf  |     |     |     |         |          |
|                | 500 kgf  | 26  |     |     |         |          |
|                | 1 tf     | 79  |     |     |         | M18x1.5  |
|                | 2 tf     |     |     |     |         |          |
|                | 3 tf     | 109 | 90  | 107 | 30      | M20x1.5  |
|                | 5 tf     | 119 | 117 | 116 | 36      | M24x2.0  |
| 10 tf          | 169      | 166 | 165 | 50  | M30x2.0 |          |

## SPECIFICATIONS

| Max. Capacity           |              | kgf      | 50, 100, 150, 200, 300, 500 kgf, 1, 2, 3, 5, 10 tf |
|-------------------------|--------------|----------|--|
| Rated output            |              | mV/V     | 2.0 ± 0.005  |
| Zero balance            |              | mV/V     | 0 ± 0.2  |
| Combined error          |              | %RO      | 0.03   |
| Repeatability           |              | %RO      | 0.015  |
| Creep (30min.)          |              | %RO      | 0.03   |
| Temperature effect on   | Zero value   | %RO/10°C | 0.03   |
|                         | Output value | %RO/10°C | 0.03   |
| Excitation              | Recommended  | V        | 10   |
|                         | Maximum      | V        | 15   |
| Resistance              | Input        | Ω        | 400 ± 50   |
|                         | Output       | Ω        | 350 ± 3.5  |
|                         | Insulation   | MΩ       | > 2,000 @50V DC                                    |
| Compensated temp. range |              | °C       | -10 ~ +40  |
| Operating temp. range   |              | °C       | -20 ~ +80  |