

Conductive Plastic Linear Sensor

LP-FJ Series

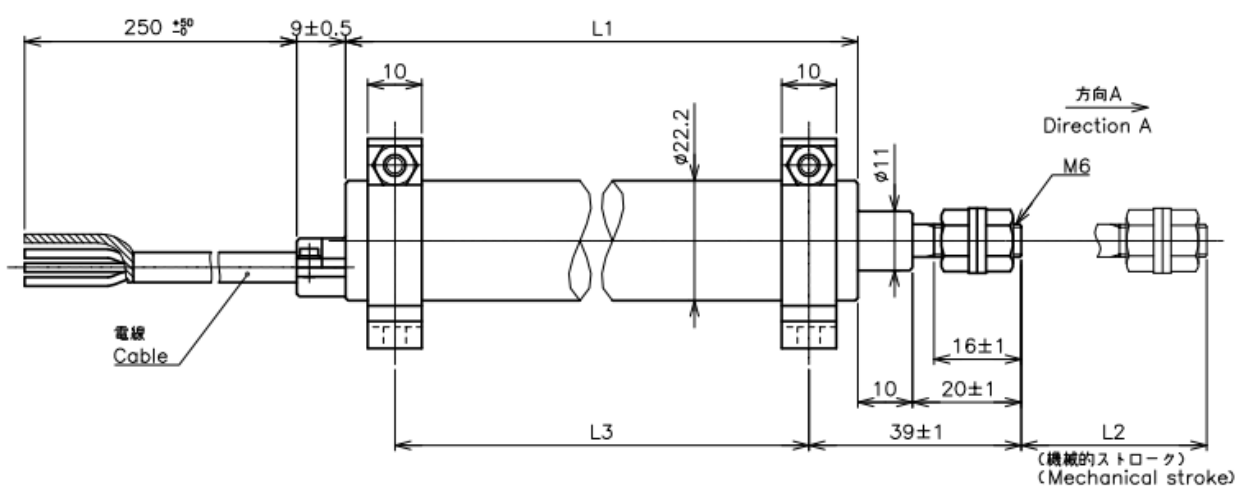
- Conductive Plastic Linear Sensor
- Effective Electrical Travel :

50mm±0.5mm (LP-50FJ / LP-50FJS)
 100mm±0.5mm (LP-100FJ / LP-100FJS)
 150mm±0.5mm (LP-150FJ / LP-150FJS)
 200mm±1mm (LP-200FJ / LP-200FJS)
 250mm±1mm (LP-250FJ / LP-250FJS)
 300mm±1mm (LP-300FJ / LP-300FJS)

- Independent Linearity : ±0.3% (Special Linearity ±0.1%)
- Dust and Drip Proof (IP65) : LP-xxFJS

【Material】

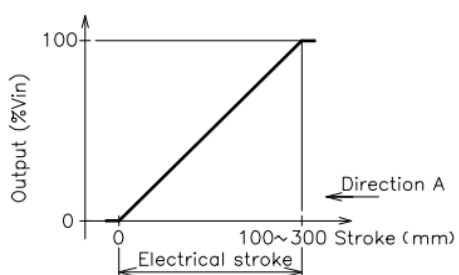
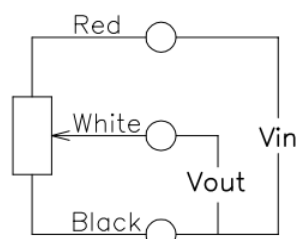
- Housing
- Shaft : Aluminum
- Bearing : Stainless Steel
- : Copper Alloy

Dimension [mm]

【Model No.】	:LP-	50FJ	100FJ	150FJ	200FJ	250FJ	300FJ
		50FJS	100FJS	150FJS	200FJS	250FJS	300FJS

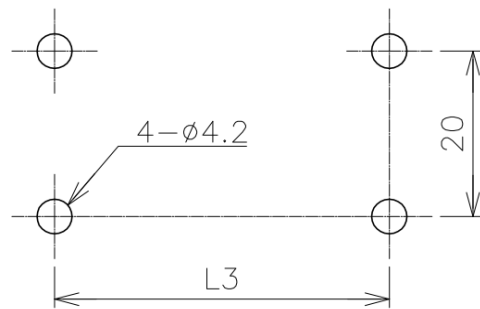
【Housing Length・Mounting】

Housing Length (L1)	88±1	138±1	188±1	238±1	288±1	338±1	mm
Mech. Travel (L2)	54±1	104±1	154±1	204±1	254±1	304±1	mm
Mounting Foot Pitch (L3)	70±1	120±1	170±1	220±1	270±1	320±1	mm

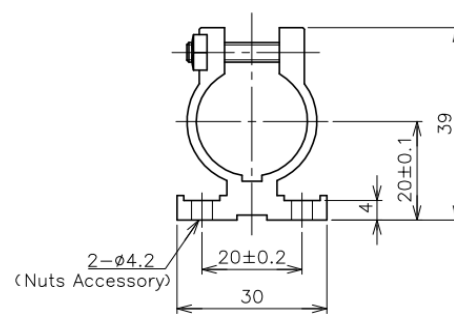
Output Characteristics**Schematic**

- Red, White, Black indicate lead colors.

■ Mounting Holes



■ Mounting Foot



【Model No.】	:LP-	50FJ		100FJ		150FJ		200FJ		250FJ		300FJ	
		50FJS		100FJS		150FJS		200FJS		250FJS		300FJS	

【Electrical Specifications】

Effective Electrical Travel	50±0.5	100±0.5	150±0.5	200±1	250±1	300±1	mm
Total Resistance	1, 5			5	10		kΩ
Total Resistance Tolerance	±20						%
Independent Linearity	±0.5	±0.3(Special Linearity ±0.1%)					%
Input Voltage	MAX. DC36/50°C						V
Output Smoothness	MAX. 0.1						%
Insulation Resistance	MIN. 100 / DC 500V						MΩ
Dielectric Strength	AC500 / 1 Minute						V
Temperature Coefficient of Resistance	±400						ppm/K

【Mechanical Specifications】

Friction	MAX.1	MAX.4	MAX.1	MAX.4	MAX.1	MAX.4	MAX.1	MAX.4	MAX.1	MAX.4	MAX.1	MAX.4	N
Mass	Approx. 120		Approx. 160		Approx. 200		Approx. 240		Approx. 280		Approx. 320		g

【Environmental Specifications】

Life Cycles	5 Million											Cycle	
Category Temperature Range	-25~+80											°C	
Storage Temperature Range	-25~+80											°C	
Vibration	100m/s ² 20~500Hz 3axis 2hours each												
Shock	500m/s ²												
IP Level	IP40	IP65※	IP40	IP65※	IP40	IP65※	IP40	IP65※	IP40	IP65※	IP40	IP65※	

※Except Harness end

■ Accessories

Mounting Foot : M4 Nut 4 pieces each

Shaft Joint : M6 Nut, Plain washer 2 pieces each

■ Handling Instruction

- To avoid burnout of resistive element, do not supply more than 1mA current to terminal white.
- Miswiring may cause burnout of resistive element.
- To reduce sliding noise, add load resistance should be more than 100times and less than 1000times of total resistance.
- Slight continuous vibration such as dither might cause short lifetime of the sensor.