

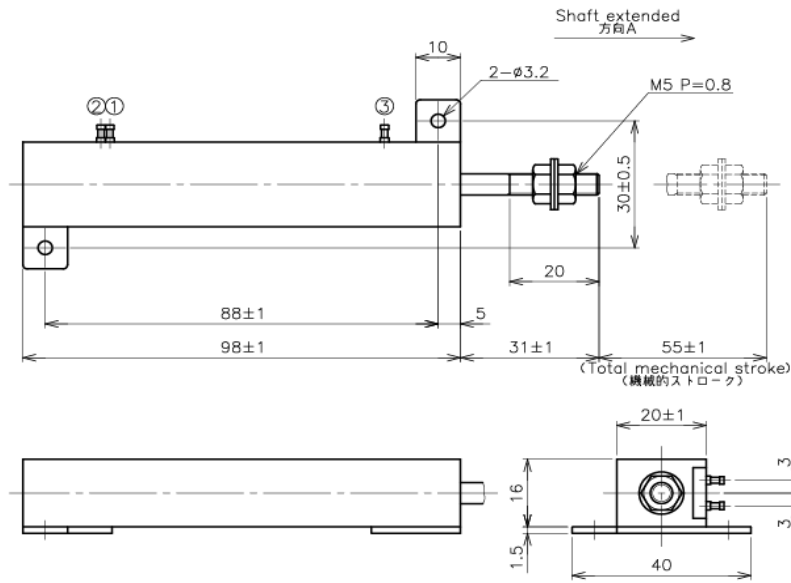
Conductive Plastic Linear Sensor
LP-50F Series



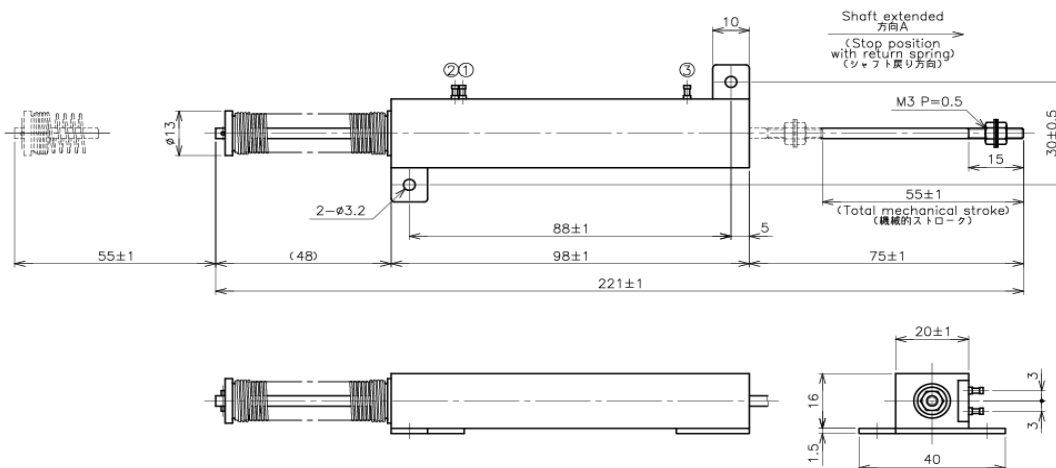
- Conductive Plastic Linear Sensor
- Effective Electrical Travel : 50mm±0.5mm
- Independent Linearity : ±0.5%

■Dimension [mm]

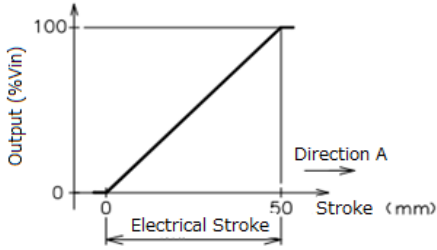
LP-50F



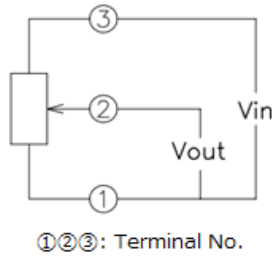
LP-50FB



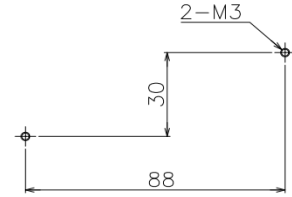
Output Characteristics



Schematic



Mounting



【Model No.】	LP-50F	LP-50FB
--------------------	---------------	----------------

【Electrical Specifications】		
Effective Electrical Travel	50±0.5	mm
Total Resistance	1、 2、 5、 10	kΩ
Total Resistance Tolerance	±20	%
Independent Linearity	±0.5 (Special Linearity: ±0.2)	%
Rated Dissipation	1.5/70°C	W
Output Smoothness	MAX. 0.1	%
Insulation Resistance	MIN. 100 / DC 500V	MΩ
Dielectric Strength	AC500 / 1 Minute	V
Temperature Coefficient of Resistance	±400	ppm/K

【Mechanical Specifications】		
Total Mechanical Travel	55±1	mm
Friction	MAX. 0.5	MAX.1.7(Spring Strength) N
Mass	Approx. 75 g	

【Environmental Specifications】		
Life Cycles	MIN. 5 Million	Cycle
Category Temperature Range	-40~+100	°C
Storage Temperature Range	-40~+100	°C
Vibration	100m/s ² 500Hz 3 axis 2 hours each	
Shock	500m/s ² 11ms 6 directions 3 times	

Accessories

- LP-50F M5 nut
 Plain washer 2 pieces each

- LP-50FB M3 nut
 Plain washer 2 pieces each

Handling Instruction

- To avoid burnout of resistive element, do not supply more than 1mA current to terminal 2.
- Miswiring may cause burnout of resistive element.
- To reduce sliding noise, add load resistance should be more than 100times and less than 1000times of total resistance.
- Slight continuous vibration such as dither might cause short lifetime of the sensor.
- Do not apply high temperature solder on the terminals.