

CHC – CANISTER LOAD CELL 20, 30, 50, 100, 200, 500, 800 tf

⊙ FEATURES

- Robust design and easy installation
- Strong against shock

⊙ Material

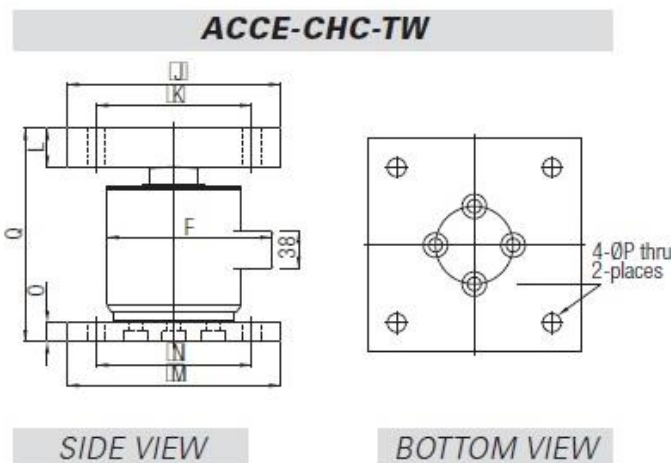
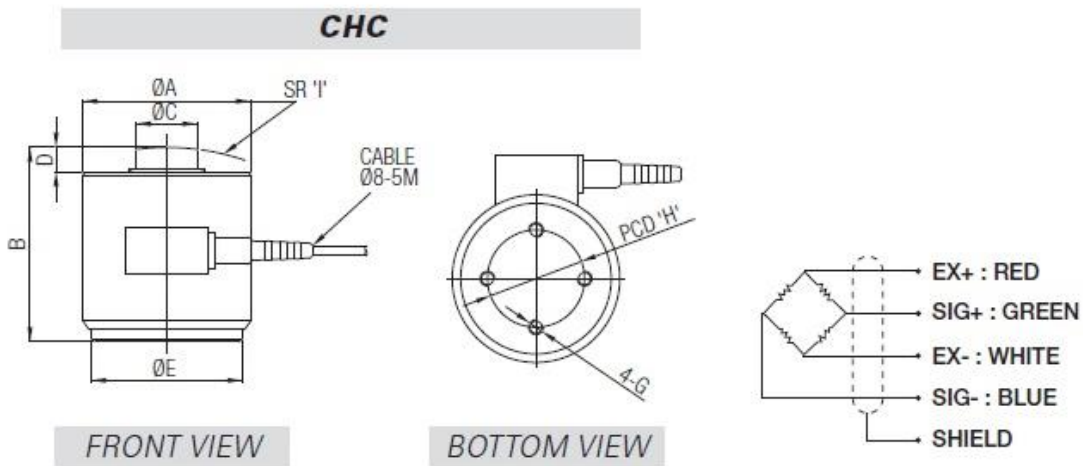
- Paint finished steel

⊙ Cable

- Braided shield 4-wire round cable with PVC-jacket



⊙ DIMENSIONS



Model	Capacity	A	B	C	D	E	F	G	H
CHC-20	20 tf	118	145	36	10	104	150	M12x1.75	80
CHC-30	30 tf	118	145	36	10	104	150	M12x1.75	80
CHC-50	50 tf	138	160	50	20	124	170	M12x1.75	80
CHC-100	100 tf	158	190	70	20	144	190	M16x2.0	100
CHC-200	200 tf	214	230	95	30	188	249	M16x2.0	130
CHC-500*	500 tf	214	280	140	30	188	249	M16x2.0	130
CHC-800*	800 tf	260	360	180	30	228	295	M20x2.5	160

Model	Capacity	I	J	K	L	M	N	O	P	Q
CHC-20	20 tf	150	200	150	30	200	150	15	14	190
CHC-30	30 tf	150	200	150	30	200	150	15	14	190
CHC-50	50 tf	200	220	160	40	220	160	20	19	220
CHC-100	100 tf	200	260	200	60	260	200	30	23	280
CHC-200	200 tf	300	280	200	80	280	200	40	27	350
CHC-500*	500 tf	800								
CHC-800*	800 tf	720								

* : special order

◎ SPECIFICATIONS

Max. Capacity		tf	20, 30, 50, 100, 200, 500*, 800*
Rated output		mV/V	2.0 ± 0.005
Zero balance		mV/V	0.0 ± 0.03
Combined error		%RO	0.15
Repeatability		%RO	0.10
Creep(30min.)		%RO	0.03
Temperature effect on			
	Zero value	%RO/10°C	0.03
	Output value	%RO/10°C	0.03
Excitation			
	Recommended	V	10
	Maximum	V	15
Resistance			
	Input	Ω	350 ± 3.5
	Output	Ω	350 ± 3.5
	Insulation	MΩ	>2,000@50V DC
Compensated temp. range		°C	-10 ~ +40
Operating temp. range		°C	-20 ~ +80