

CDSB-B

Truck & Tank weighing load cell 10, 15 tf

www.curiotec.com



FEATURES

- Robust design and easy installation
- Strong against shock or side force

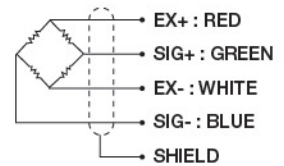
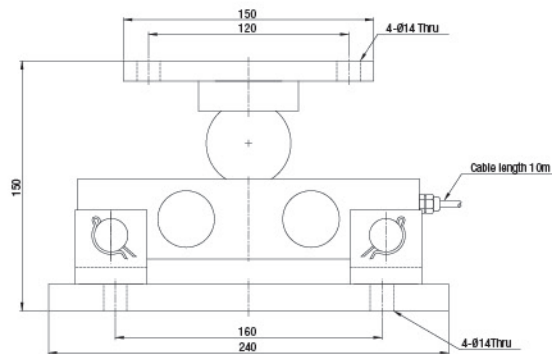
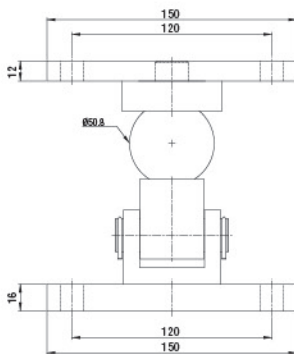
Material

Nickel plated steel

Cable

Braided shield 4-wire round cable with PVC-jacket

DIMENSIONS



SPECIFICATIONS

Max. Capacity		tf	10, 15 tf
Rated output		mV/V	2.0 ± 0.004
Zero balance		mV/V	0 ± 0.03
Combined error		%RO	0.03
Repeatability		%RO	0.02
Creep(30min.)		%RO	0.03
Temperature effect on			
	Zero value	%RO/10°C	0.03
	Output value	%RO/10°C	0.015
Excitation			
	Recommended	V	10
	Maximum	V	15
Resistance			
	Input	Ω	800 ± 50
	Output	Ω	700 ± 7
	Insulation	MΩ	>2,000@50V DC
Compensated temp. range		°C	-10 ~ +40
Operating temp. range		°C	-20 ~ +80