



FEATURES

- Stainless steel construction
- Fully environmental protection
- Protection class IP68

Material

- Stainless steel

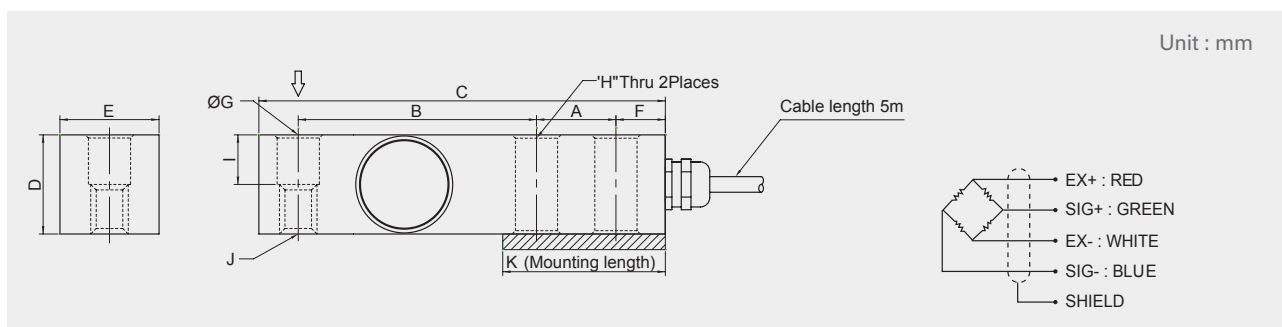
Cable

- Braided shield 4-wire round cable with PVC - jacket

Mounting

Capacity	Hexagon head-bolt	Tightening torque
300 kgf ~ 2 tf	M12 x 1.75 (10.9)	100Nm
3 tf	M18 x 1.5 (10.9)	350Nm
5 tf		

DIMENSIONS



Model	Capacity	A	B	C	D	E	F	G	H	I	J	K
CBSS - 300L	300 kgf	25.4	76.2	130	31.7	31.7	15.8	13.5	13.5	15.85	M12x 1.75	52
CBSS - 500L	500 kgf											
CBSS - 1 T	1 tf											
CBSS - 2 T	2 tf	38.1	95.3	171.5	38.1	38.1	19	20	20	19	M18 x 1.5	76.2
CBSS - 3 T	3 tf											
CBSS - 5 T	5 tf											

SPECIFICATIONS

Max. Capacity		kgf, tf	300, 500 kgf 1, 2, 3, 5 tf
Rated output		mV/V	2.0 ± 0.005
Zero balance		mV/V	0.0 ± 0.02
Combined error		%RO	0.03
Repeatability		%RO	0.01
Creep (30min.)		%RO	0.03
Temperature effect on	Zero value	%RO/10°C	0.028
	Output value	%RO/10°C	0.014
Excitation	Recommended	V	10
	Maximum	V	15
Resistance	Input	Ω	350 ± 3.5
	Output	Ω	350 ± 3.5
	Insulation	MΩ	> 2,000 @50V DC
Compensated temp. range		°C	-10 ~ +40
Operating temp. range		°C	-20 ~ +80