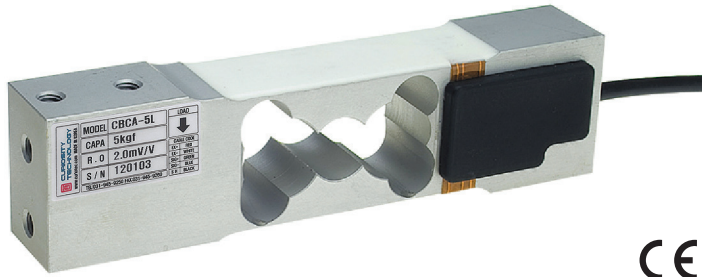


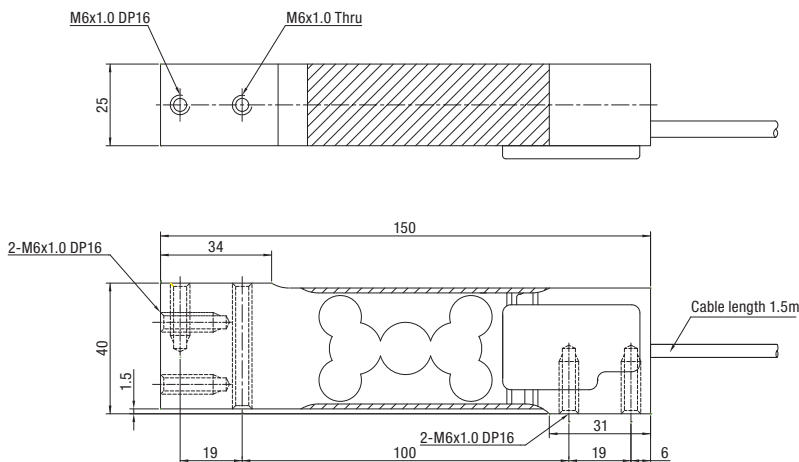
CBCA

Single point load cell **5, 10, 15, 20, 30, 50, 75, 100 kgf**

www.curiotec.com



DIMENSIONS



FEATURES

- Low cost
- Off center compensated
- Protection class IP65

Material

Anodized Aluminum

Mounting

- Socket-head cap screw
- M6 x 1.0(10.9)
- Tightening torque : 14Nm

Cable

Braided shield 4-wire round cable with PVC-jacket

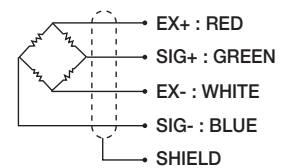
Maximum Platform Size

400 x 400 mm

Ordering Information

CBCA-xxxL

Capacity in kg



SPECIFICATIONS

Max. Capacity	kgf	5, 10, 15, 20, 30, 50, 75, 100	
Rated output	mV/V	2.0 ± 0.2	
Zero balance	mV/V	0 ± 0.1	
Accuracy class		D3	C3
Combined error	%RO	0.03	0.02
Repeatability	%RO	0.02	0.01
Creep(30min.)	%RO	0.03	0.017
Temperature effect on			
Zero value	%RO/10°C	0.03	0.014
Output value	%RO/10°C	0.03	0.011
Excitation			
Recommended	V	10	
Maximum	V	15	
Resistance			
Input	Ω	400 ± 20	
Output	Ω	350 ± 3.5	
Insulation	MΩ	>2,000@50V DC	
Compensated temp. range	°C	-10 ~ +40	
Operating temp. range	°C	-20 ~ +80	