



FEATURES

- Stainless steel construction
- Fully environmental protection
- Protection class IP67

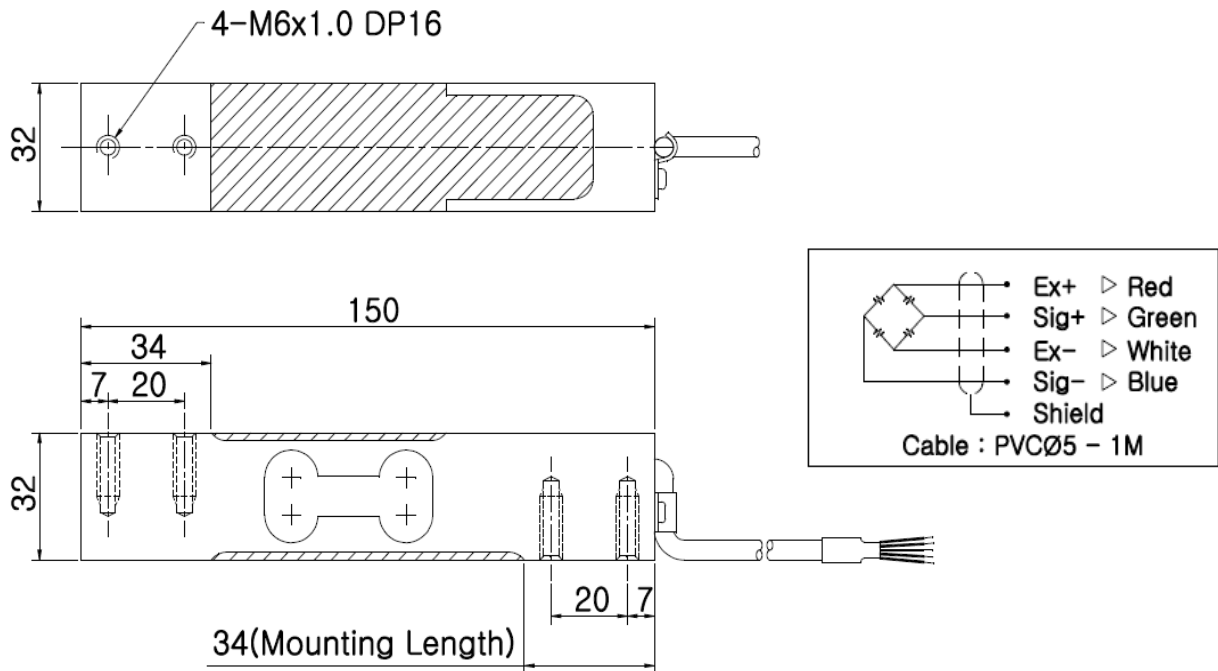
Material

- Stainless steel construction

Cable

- Braided shield 4-wire round cable with PVC -jacket

DIMENSIONS



SPECIFICATIONS

Max. Capacity	kgf	15, 30, 50, 100Kgf
Rated output	mV/V	2.0 ± 0.2
Zero balance	mV/V	0.0 ± 0.1
Combined error	%	0.03
Repeatability	%	0.01
Creep(30min.)	%	0.03
Temperature effec on		
Zero value	%/°C	0.028
Output value	%/°C	0.014
Excitation		
Recommended	V	10
Maximum	V	15
Resistance		
Input	Ω	380 ± 30
Output	Ω	350 ± 3.5
Insulation	MΩ	> 2,000 @50V DC
Compensated temp.range	°C	-10 ~ +40
Operating temp. range	°C	-30 ~ +80

* Specifications are subject to change without notice