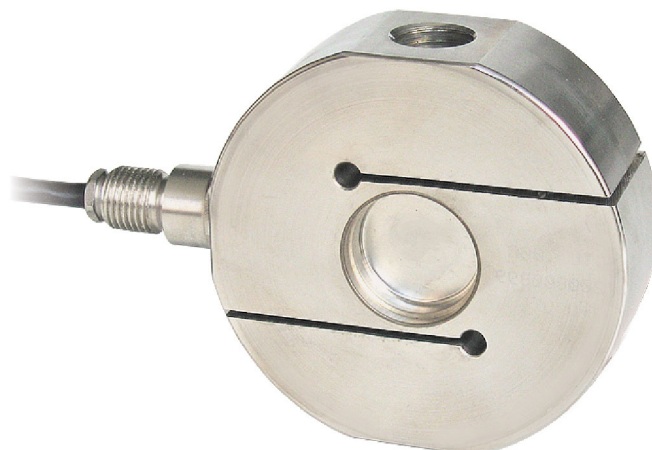




Capacity from 100 kg to 12500 kg

- 17-4 PH STAINLESS STEEL
- COMBINED ERROR $\leq \pm 0.02\%$
- IP68 PROTECTION RATING



CAPACITY	kg	ACCURACY CLASS C3	G	UK TRADE APPROVED	NET WEIGHT (kg)
100		–	–	–	0.7
200		–	–	–	0.7
300		–	–	–	0.7
500		•	•	•	1.4
1000		•	•	•	1.4
2500		•	•	•	1.4
5000		•	•	•	2.6
7500		•	•	•	2.7
10000		•	•	•	3.7
12500		•	•	•	4.8

ON REQUEST

CERTIFICATIONS

- OIML R60 C3
- Complies with the Eurasian Customs Union regulations
- Equivalent of the CE marking for the United Kingdom
- Complies with United Kingdom regulations for legal for trade use

CERTIFICATIONS ON REQUEST

Declaration of conformity + IP69K marking protection rating
 Water protection in case of high-pressure or steam jet cleaning (test: pressurized water is sprayed from a distance of max 150 mm)
 Water pressure: 100 bar; temperature: 80 °C; test duration: 250 seconds (reference standard: DIN 40050-9)

Calibration report

LAT Accredia calibration certificate ISO 376 or ASTM E74 for capacities from 1000 kg to 10000 kg

ATEX II 1G 2D (zone 0-1-2-21-22) (CE - UK CA)

IECEx (zone 0-1-2-20-21-22)

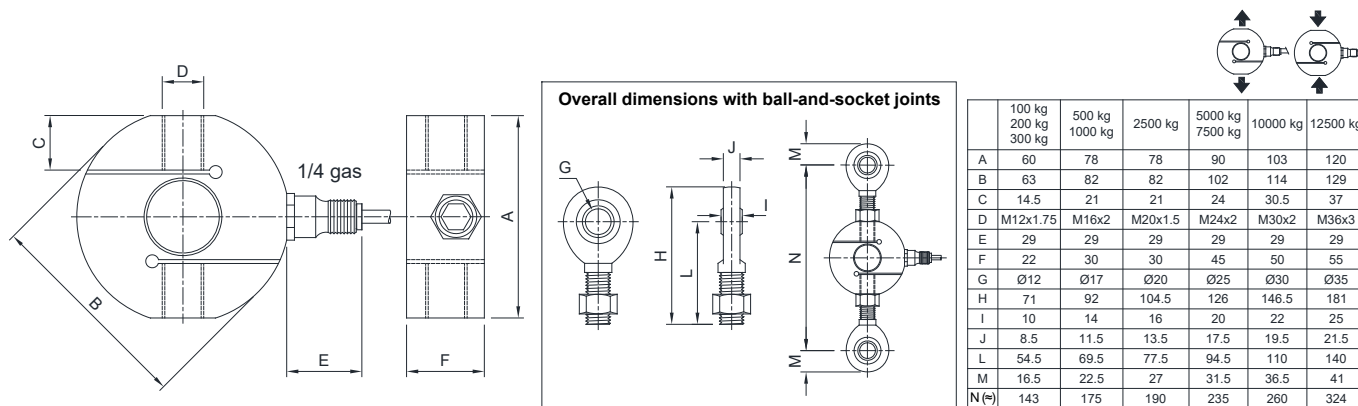
Complies with the Eurasian Customs Union regulations for use in potentially explosive atmospheres

Complies with Chinese market regulations for use in potentially explosive atmospheres

Complies with the regulations of the Russian Federation for legal for trade use

Complies with Chinese market regulations for legal for trade use

DIMENSIONS (mm)



OPTIONS ON REQUEST

DESCRIPTION



Two redundant strain gauges Wheatstone bridges (350 Ω) with two output cables; for dual safety systems.

COMPLEMENTARY ACCESSORIES

	DESCRIPTION	DIMENSIONS	LOAD CELL CAPACITY	CODE
	Ball-and-socket joint with nut:			
	stainless steel	M12x1.75	100-300 kg	EM-INOX
		M16x2	500-1000 kg	
		M20x1.5	2500 kg	
		M24x2	5000-7500 kg	
	galvanized C45 steel	M12x1.75	100-300 kg	EM
		M16x2	500-1000 kg	
		M20x1.5	2500 kg	
		M24x2	5000-7500 kg	
		M30x2	10000 kg	
M36x3		12500 kg		

TECHNICAL FEATURES

Material	17-4 PH stainless steel		
OIML R60 Accuracy class • Verification intervals	-		C3 • 3000
Nominal load (E max)	100 - 200 - 300 kg	500 - 1000 - 2500 - 5000 kg 7500 - 10000 - 12500 kg	
Minimum verification interval (V min)	E max / 10000		
Combined error	≤ ±0.02%		
Protection rating	IP68		
Rated output	2 mV/V ±0.1%	Input resistance	350 Ω ±5
Temperature effect on zero	0.005% °C	Output resistance	350 Ω ±2
Temperature effect on span	0.003% °C	Zero balance	±1%
Temperature range OIML R60	-10 °C / +40 °C	Insulation resistance	≥5000 MΩ
Compensated temperature range	-20 °C / +70 °C	Safe overload (% of full scale)	150%
Operating temperature range	-30 °C / +90 °C	Ultimate overload (% of full scale)	300%
Creep at nominal load in 30 minutes	0.05%	Deflection at nominal load	0.3 mm
Max supply voltage without damage	15 V		

ELECTRICAL CONNECTIONS

Cable length	10 m
Cable diameter	5 mm
Cores	6 x 0.14 mm ²

