

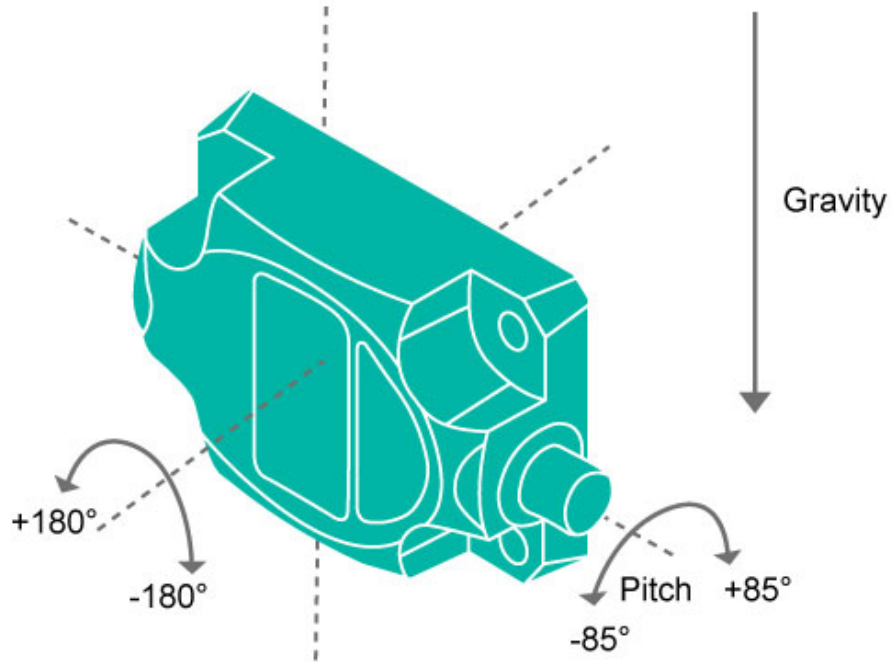
## TILTIX Inclinometer

**ACS-180-F-CA01-VK3-PV**



### General Specifications

Application	2-Axes Position Monitoring and Leveling
Measurement Range	CANopen
Absolute Accuracy	$\pm 0.10^\circ$
Resolution	$0.01^\circ$
Cycle Time Base Sensor	500 $\mu$ s
Device Orientation	Vertical



Only for reference of the orientation of the product.

### Electrical Specifications

Supply Voltage	10 - 30 VDC
Current Consumption	≤ 65 mA @ 10 V DC, ≤ 60 mA @ 24 V DC
EMC: Emitted Interference	DIN EN 61000-6-4
EMC: Noise Immunity	DIN EN 61000-6-2
Reverse Polarity Protection	Yes
Short Circuit Protection	Yes
MTTF	350 years @ 40 °C

### Environmental Specifications

Operating Temperature	-40 °C (-40 °F) - +85 °C (+185 °F)
Storage Temperature	-40 °C (-40 °F) - +85 °C (+185 °F)
Temperature Gradient	0.004°/ K
Protection Class	IP68/IP69K
Shock Resistance	≤ 100 g (half sine 6 ms, EN 60068-2-27)

Data Sheet

Printed at 9-05-2024 06:05



Vibration Resistance	1.5 mm (10 Hz - 58 Hz) & ≤ 20 g (58 Hz to 2000 Hz)
----------------------	--

### Mechanical Specifications

Housing Material	Zinc
Potting Material	None
Weight	220 g (0.49 lb)

### Interface

Interface	CANopen
Settling Time	min 30 ms; default 200 ms (dependent on filter settings)
Output Driver	Transceiver (ISO 11898), Galvanically Isolated by Opto-Coupl
Profile	DS-410
Transmission Rate	min. 20 kBaud, max. 1 MBaud
Default Transmission Rate	125 kBaud
Default Node ID	1h

### Electrical Connection

Connection Type	Connector M12 (5 pin)
Connector	M12, Male, 5 pin, a coded, with LED

### Product Life Cycle

Product Life Cycle	New
--------------------	-----

### Certification

Approval	CE
----------	----

### Connection Plan

SIGNAL	PIN NUMBER
Power Supply	2
GND	3
CAN High	4
CAN Low	5
CAN GND	1

### Dimensional Drawing



## [2D Drawing](#)

### Accessories

#### Connectors & Cables

M12, 5pin A-Coded, Male

5m PUR Cable, 5pin, A-Coded, f

2m PUR Cable, 5pin, A-Coded, f

Angled M12, 5pin A-Coded, Female

2m PUR Cable, 5pin, A-Coded, m

10m PUR Cable, 5pin, A-Coded, f

5m PUR Cable, 5pin, A-Coded, m

POS M12 5pin-A Female+5m PUR Cable

10m PUR Cable, 5pin, A-Coded, m

POS M12 5pin-A Female+2m PUR Cable

POS M12 5pin-A Female+10m PUR Cable

M12, 5pin A-Coded, Female

More

**Got questions? Need an individual solution? We are here to help!**



Contact Us

All dimension in [inch] mm. This drawing and the information contained is for general presentation purposes only. Please refer to the "Download" section for detailed technical drawings. © FRABA B.V., All rights reserved. We do not assume responsibility for technical inaccuracies or omissions. Specifications are subject to change without notice.

Data Sheet

Printed at 9-05-2024 06:05