

# DTEZ

## DIGITAL PORTABLE CRANE SCALE

LAUMAS®



Capacity up to 30 tons

### DESCRIPTION

- Crane scale in high resistance aluminum alloy (DTEZ3/5) and steel (DTEZ10/20/30) complete with upper and lower shackles.
- 5-digit backlit LCD display (25 mm height).
- 10 signalling symbols.
- IP64 protection rating.
- 3 batteries 1.5 V AA type included.
- Operating time: 50 hours.
- Aluminum case included (DTEZ3/5/10).
- Hook for for 3 to 10 tons capacity (option on request).
- Remote control with range up to 15 m line of sight (option on request).

### MAIN FUNCTIONS

- Weight totalizing.
- Semi-automatic tare (net/gross weight).
- Weight zero setting.
- Tare weight zero setting.
- Displaying of the maximum weight value reached (peak).
- Units of measure setting: kg - t - N - kN - lb.
- Energy saving mode.
- Auto power-off.
- Access to calibration functions via remote control (option on request).
- Printing of weighing data via remote control (option on request).



CASE INCLUDED  
(DTEZ3/5/10)



HOOK  
(option on request)



REMOTE CONTROLS  
(options on request)



CAPACITY	kg	DIVISION (kg)	CRANE SCALES NET WEIGHT (kg)	HOOK NET WEIGHT (kg)	CODE
3000		e=1	6.4	3	DTEZ3
5000		e=2	8.8	5.5	DTEZ5
10000		e=5	24	5.9	DTEZ10
20000		e=10	45	-	DTEZ20
30000		e=10	62	-	DTEZ30

### CERTIFICATIONS

**UKCA** Equivalent of the CE marking for the United Kingdom

CERTIFICATIONS ON REQUEST

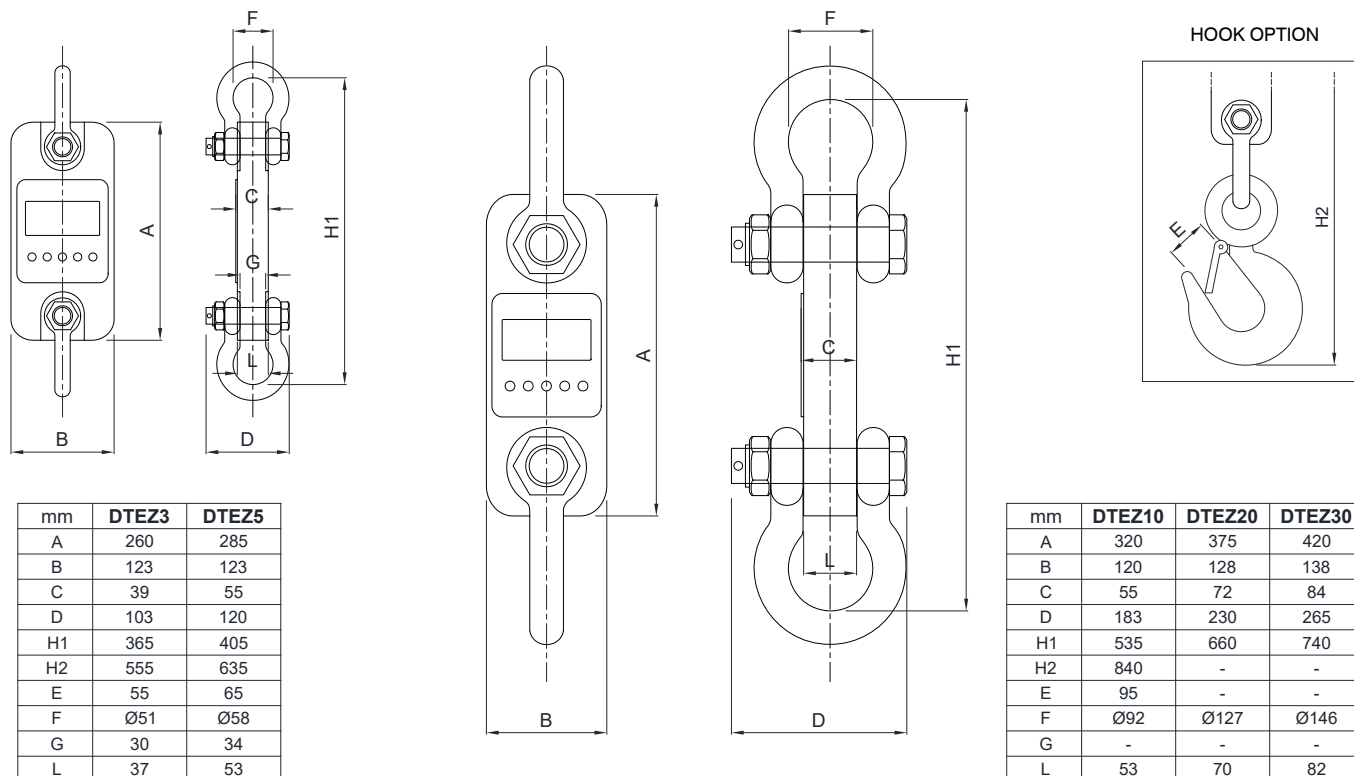
CODE

✓ Linearity test

TARATURA

Rev. 0.0




### DIMENSIONS (mm)



### TECHNICAL FEATURES

Accuracy class (% of full scale)	± 0.01%
Safe overload (% of full scale)	150%
Ultimate overload (% of full scale)	400%
Humidity (condensate free)	10÷90%
Working temperature	-10°C +40°C

### OPTIONS ON REQUEST

	DESCRIPTION	CODE
	Remote control with display, range up to 15 m line of sight.	TELEDTEZ
	Remote control with display and printer, range up to 15 m line of sight.	TELEDTEZPRINT
	Hook for capacities up to 3000 kg Hook for capacities up to 5000 kg Hook for capacities up to 10000 kg	

The Company reserves the right to make changes to the technical data, drawings and images without notice.