



DESCRIPTION

- Zener barriers protect circuits in ATEX Zones. They are safety devices that divert a fault tension to the ground, preventing the formation of sparks or the overheating of devices in hazardous areas.
- Omega/DIN rail mounting.
- Extractable screw terminals.

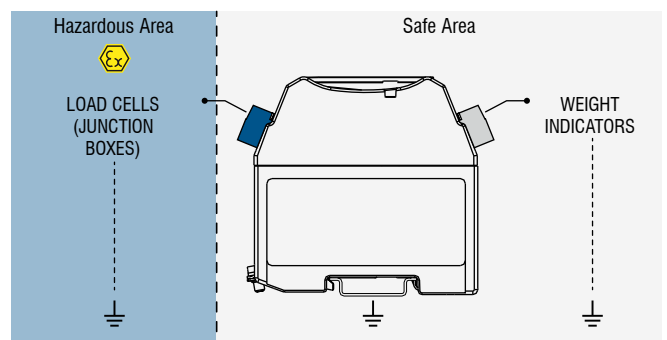
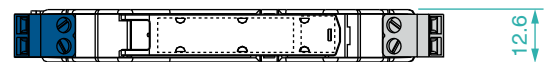
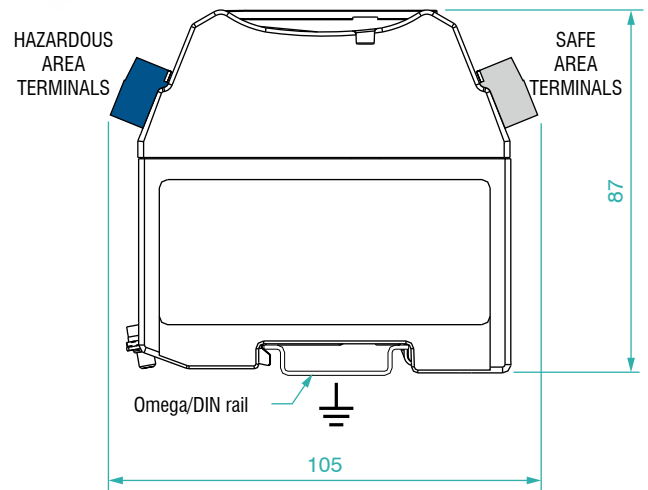
| ATEX marking | IECEx marking |
|---|--|
| II (1) GD [Ex ia Ga] IIC [Ex ia Da] IIIC (-20 °C ≤ Ta ≤ +60 °C) BAS01ATEX7217 | [Ex ia Ga] IIB [Ex ia Ga] IIC [Ex ia Da] IIIC (-20 °C ≤ Ta ≤ +60 °C) IECEx BAS 04.0025 |

Intrinsically safety MTL7766Pac passive barrier (power supply):

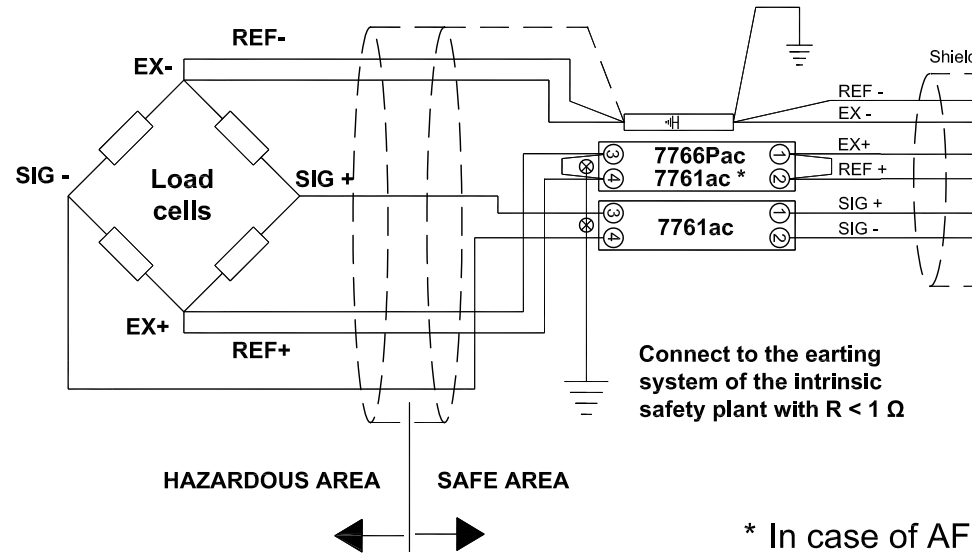
- 2 channels, analog signal, strain-gauge bridges.
- 20 °C ≤ Ta ≤ +60 °C; Po=0.942 W; Co=1.41 μF; Lo=0.34 mH;
- Each channel: Uo=12 V; Io=157 mA.

Intrinsically safety MTL7761ac passive barrier (signal):

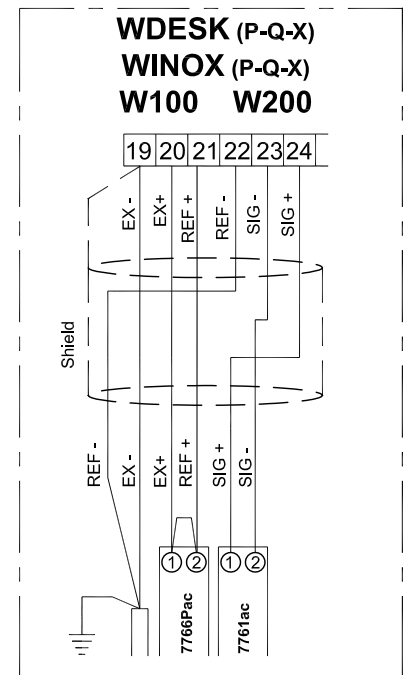
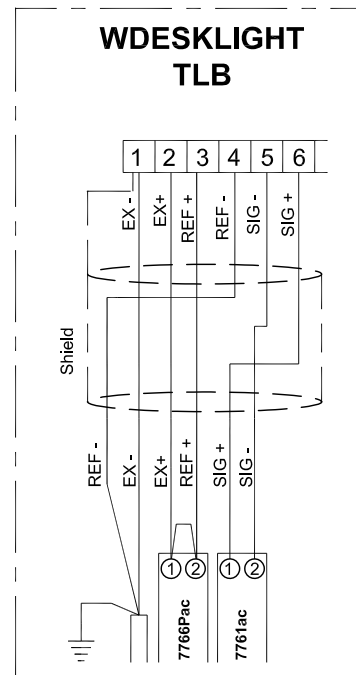
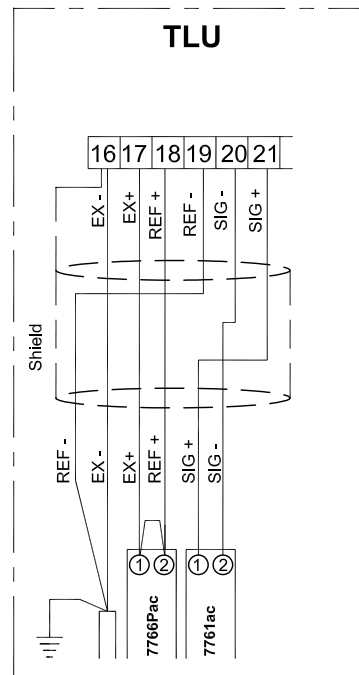
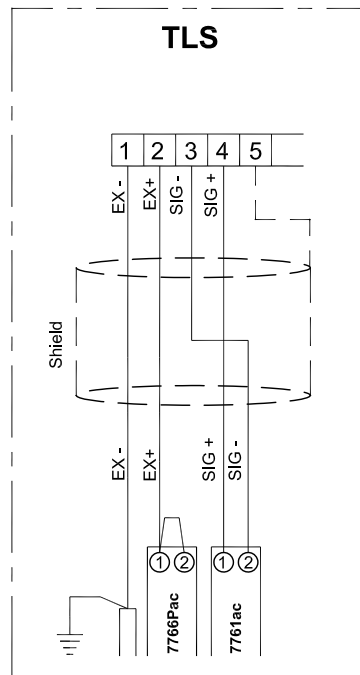
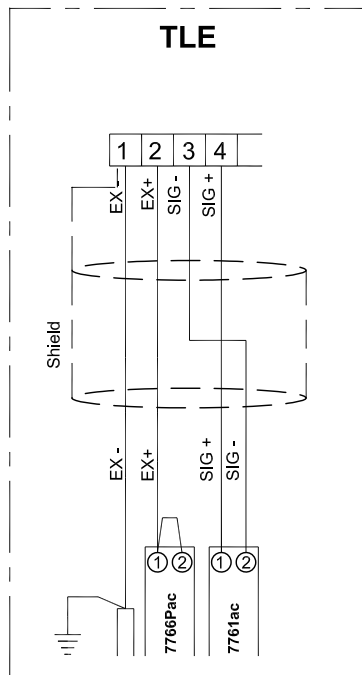
- 2 channels, analog signal.
- 20 °C ≤ Ta ≤ +60 °C; Po=0.225 W; Co=4.9 μF; Lo=3.72 mH;
- Each channel: Uo=9 V; Io=100 mA.



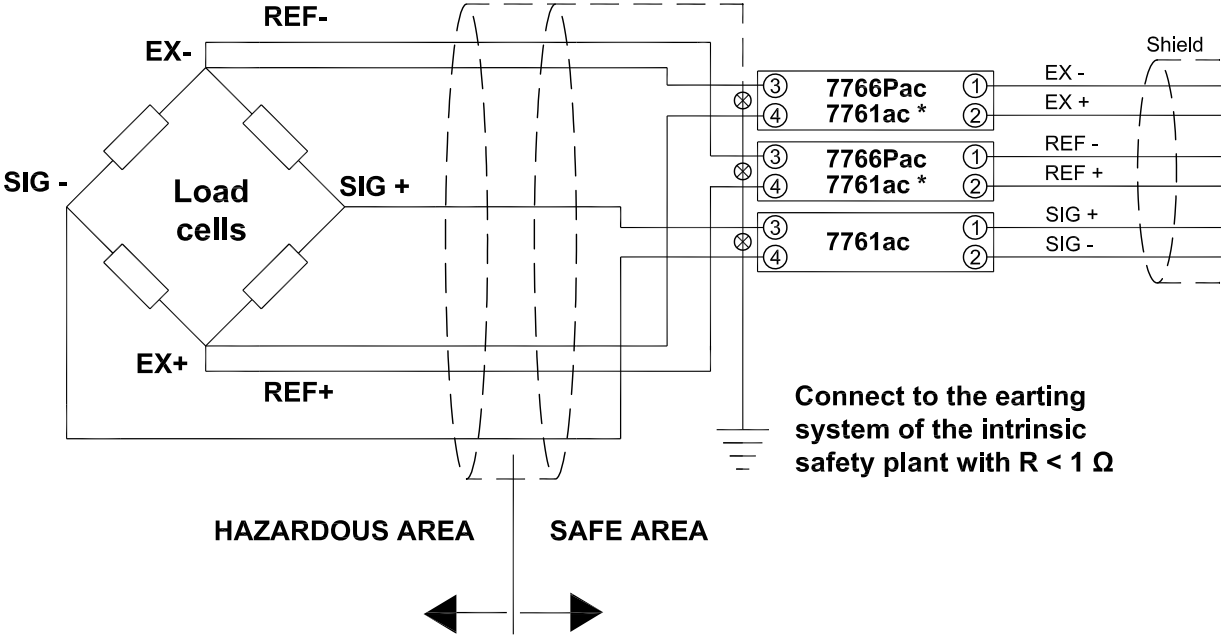
ZENER SAFETY BARRIERS SERIES MTL 7766Pac - 7761ac



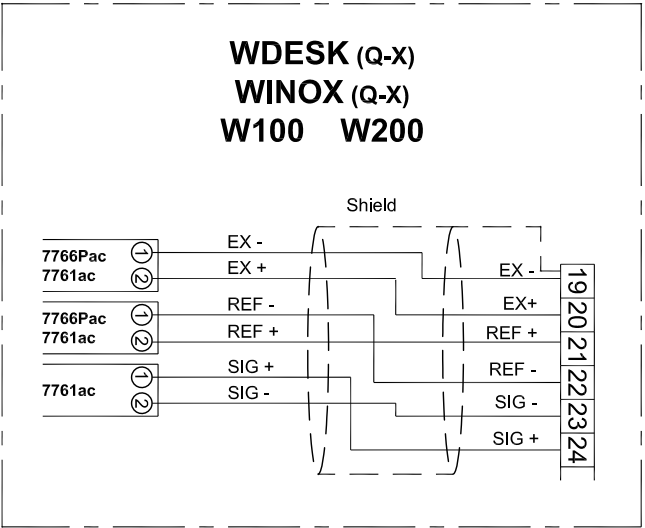
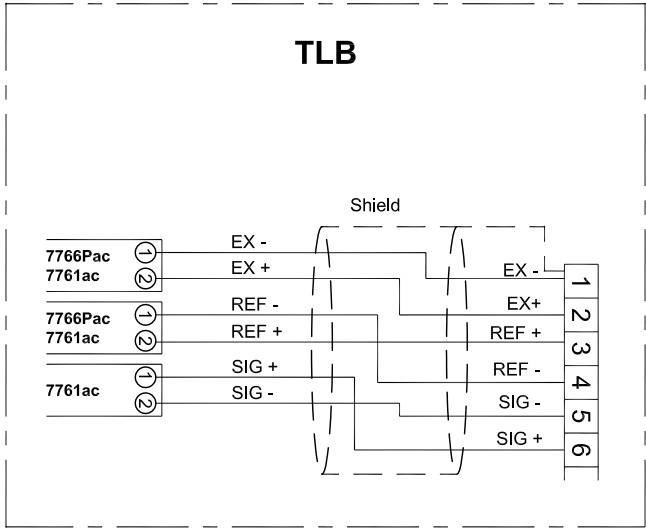
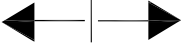
* In case of AF load cell, use model 7761ac barriers in place of model 7766Pac



ZENER SAFETY BARRIERS SERIES MTL 7766Pac - 7761ac



HAZARDOUS AREA SAFE AREA



THREE BARRIERS CONNECTION

* In case of AF load cell, use model 7761ac barriers in place of model 7766Pac