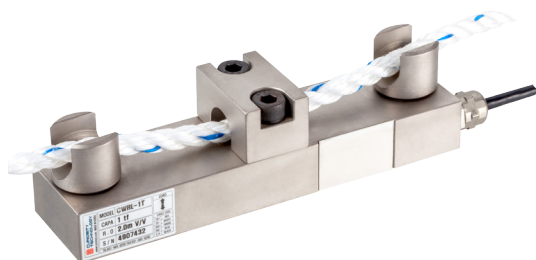


CWRL

Tension Load Cell

0.5, 1, 1.5, 2.5, 4, 8, 10 tf



FEATURES

- Designed for protecting cranes from overload and for measuring the tension of wireropes
- Safety chain for load cell usage in the industrial
- Various Capacity (0.5tf ~ 10tf)

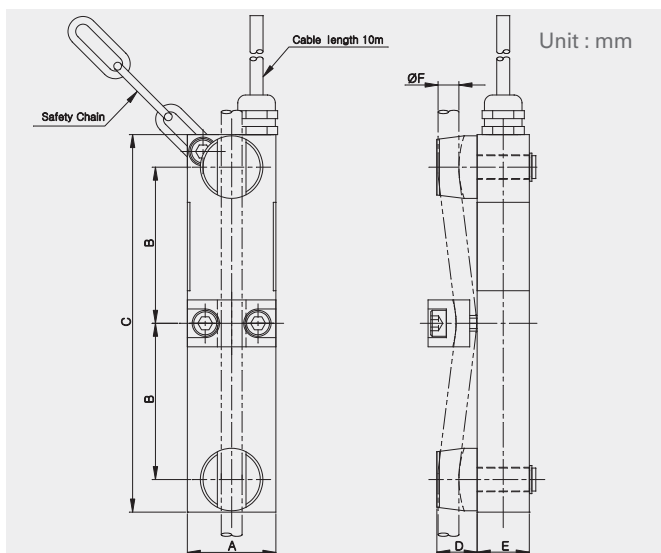
Material

- Nickel plated steel

Cable

- Braided shield 4-wire round cable with PVC - jacket
- Ø5-10M

DIMENSIONS



Capacity	A	B	C	D	E	ØF WIRE ROPE
0.5, 1 tf	34	60	145	15.5	20	6~8
1.5 tf	42	70	167	21	22	10~14
2.5 tf	48	75	180	27	22	14~20
4 tf	62	90	215	35	25	18~28
8, 10 tf	80	100	250	45	35	25~35.5

LOAD CELL
Tension Load Cell

SPECIFICATIONS

Max. Capacity		tf	0.5, 1, 1.5, 2.5, 4, 8, 10 tf
Rated output		mV/V	0.7 Nominal
Zero balance		mV/V	0.0 ± 0.1
Combined error		%RO	2.0
Repeatability		%RO	1.0
Creep (30min.)		%RO	1.0
Temperature effect on	Zero value	%RO/10°C	0.1
	Output value	%RO/10°C	0.2
Excitation	Recommended	V	10
	Maximum	V	15
Resistance	Input	Ω	400 ± 50
	Output	Ω	350 ± 3.5
	Insulation	MΩ	> 2,000 @50V DC
Compensated temp. range		°C	-10 ~ +40
Operating temp. range		°C	-20 ~ +80