

TH15/16

Temperature & Humidity Transmitter for Remote Type

APPLICATIONS

Features

- Compact design and easy to install.
- Stainless steel probe and Teflon cable.
- Two-point calibration for temperature and humidity.
- Two options for output: voltage or current.
- Temperature compensation design.
- Remote type; waterproof and dustproof housing.

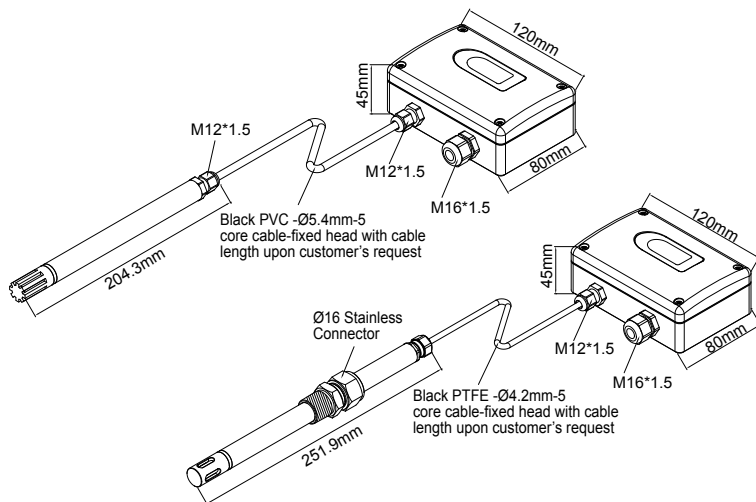
Applications

- Monitoring on temperature, humidity, air-conditioning and energy-saving in HVAC.
- Monitoring for high temperature and ventilation in the fields like: Papermaking, timbering, tobacco, ceramic, leather, processing equipment and high-temperature environmental box.



Installation	Function	Output	Power Supply	Temperature Range	Humidity / Dew Point Range	Option	
15 : general-purpose 16 : high temperature	A : temperature & humidity output H : humidity output T : temperature output D : dew-point output	1 : 4~20mA 6 : 0~10V	1 : 24 VDC±10%	30 : 0~50°C (TH15) 14 : -40~60°C 18 : -40~180°C 42 : 0~120°C	48 : 0~180°C W : special span XX : N/A (humidity only)	00 : 100% rh 14 : -40~60°C dp 15 : -20~60°C dp XX : N/A (temperature only)	5 : 5 meters S : fritted glass base

DIMENSION



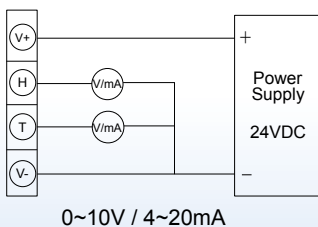
TECHNICAL SHEET

Input..... capacitive humidity sensor & PT100 Ω
 Measuring range..... temperature: upon request /
 humidity: 0~100%
 Temperature range ABS probe: 0 ~ 50°C/ Metal probe: 180°C
 Humidity range 0~100%
 Dew-point range -40~60dp
 Output..... 4~20mA / 0~10V ; 3-wire

ACCURACY (at 25°C)

Temperature ±0.3°C
 Humidity..... ±2% RH (40~60%) : ±3% RH (10~90%)
 Load resistance 4~20mA ≤ 600Ω / 0~10V ≥ 10KΩ
 Output calibration (ZERO & SPAN) adjustment range
 10% of zero-point and full-range
 Response time (air velocity ≥ 1m/s) < 20S
 Media measured air
 Bearable pressure for probe (metal probe) 10 BAR
 Working temperature 0~50°C (housing)
 Working humidity 0~95%
 Storage temperature -25~60°C
 Power supply 24VDC±10%
 Electrical connection..... TS-504-4P connector
 Installation Remote type
 Connection thread
 plastic flange base / Stainless Steel connector ø16x49mm
 Protection degree IP 65 (Sensor: IP 20)
 Electrical protection polarity protection
 Certification..... CE
 Housing ABS fire-proof class (PA-765A)
 Probe ABS fire-proof class / SUS304
 Cable TH15: PVC / TH16: Teflon
 Weight with ABS probe 480g / with SUS304 probe 703g
 Option..... fixed board / water-proof shield for outdoor use

CONNECTION DIAGRAM



WORKING CHART

