

THS03/04

3-wire Temperature & Humidity Transmitter for Indoor / Duct Type



APPLICATIONS

Features

- With compact design and reasonable price, easy to install, high C/P ratio.
- High-Tech sensor with high accuracy and long-term stability.

Applications

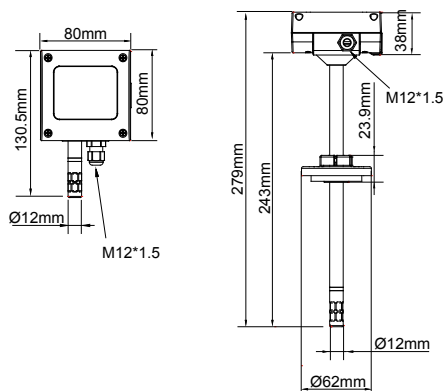
- Monitoring for HVAC process / air conditioning / environmental ventilation control.
- Environmental monitoring for building / factory / clean room / Lab
- Monitoring for storeroom / crisper / agriculture / food industry.



THS 04 - A 1 1 - 30 00 - N

Installation	Function	Output	Power Supply	Temperature Range	Humidity	Option
03 : indoor type 04 : duct-mounting	A : temperature & humidity output H : humidity output T : temperature output	1 : 4~20mA 6 : 0-10V	1 : 24 VDC±10%	30 : 0~50°C XX : N/A (Humidity only)	00 : 0~100% XX : N/A (temperature only)	N : none S : stainless steel sintered filter D : LCD display

DIMENSION



THS03

THS04

TECHNICAL SHEET

Input

Input capacitive humidity sensor & PT 100Ω
 Measuring range temperature : 0~50°C
 humidity : 0~100%
 Recommended working range temperature : 15~35°C
 humidity : 20~80%

Output

Output 4~20mA
 Signal Connection 3-wire
 Display type ... LCD Module with back light, double line character
 Display range upon request, one decimal place
 Height of character 5.56mm

Accuracy(at 25°C)

Temperature ±0.3°C+0.002°C x t actual
 Humidity ±3%RH(20~80%)
 Temperature influence 0.2%RH/°C
 Load resistance 4~20mA ≤ 500Ω / 0~10V ≥ 10KΩ
 Output calibration (ZERO & SPAN) adjustment range
 10% of zero-point and full-range
 Response time t90 (at 25°C) < 20S

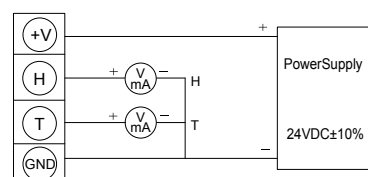
Environment

Media Measured air
 Working environment temperature 0~50°C
 Storage Temperature -25~+60°C

Electrical Regulation

Power supply 24VDC ± 10%
 Consumption current non-display : 78mA
 display : 100mA
 Electrical connection 4P connection
 Installation indoor for wall type / duct-mounting
 Protection degree IP 54 (Sensor : IP 20)
 Electrical protection Polarity protection
 Certification CE
 Housing /Probe PC fire-proof class (PC-110)
 Weight THS03 : 119g / THS04 : 164g

CONNECTION DIAGRAM



4P Connection

3-wire
4-20mA/0-10V