

# SUN SCALE



## SPS Load Cell

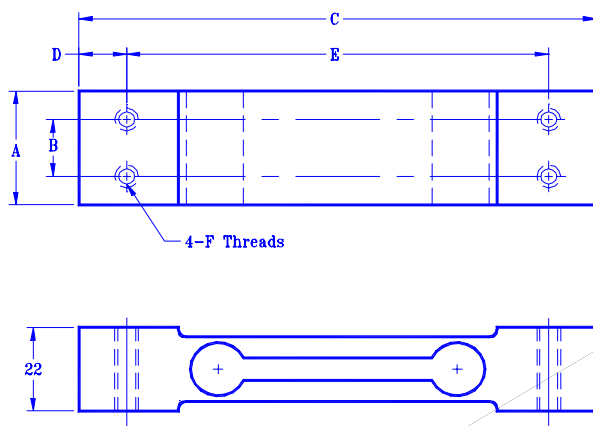
- Aluminum construction
- Capacities from 1 Kg to 35 Kg
- Single Point design
- Metric threads

## SPECIFICATIONS

Rated Capacities (Kg)	1, 2, 3	6, 10, 15, 25, 35
Accuracy Class ( max. number of intervals)	C3 (3000)	
Rated Output (mv/v)	1 ± 10%	2 ± 10%
Combined Error (% of R.O.)	0.017	
Non-Repeatability (% of R.O.)	0.010	
Minimum Division Size (v min., % of R.O.)	0.010	
Temperature Coefficient		
Output (ppm/ °C, of load)	5	
Zero (ppm/ °C, of R.O.)	14	
Creep Return (% of load, 30 Min.)	0.017	
Zero Balance (% of R.O.)	± 2	
Excitation (Volt)	10 recommended, 15 Max.	
Input Impedance (Ω)	395 ± 10	
Output Impedance (Ω)	350 ± 1%	
Operating Temperature Range ( °C)	-40 to +60	
Environmental Protection (DIN)	IP 65	
Safe Overload (% of R.O.)	150	
Error due to Eccentric Load ( ±% of applied load / CM )	0.007	0.005
Maximum Platform Size (mm)	200 x 200	300 x 300

Example for Order Number: **SPS-10-C3**, **SPS**: load cell type, **10**: capacity in kg,  
**C3**: accuracy class, OIML Class C 3000 divisions.

## DIMENSIONS



### Wiring Code:

- +Input Red
- Input Black
- +Output Green
- Output White

4-wire shielded cable, φ3, 40 cm

(mm)

Capacity	A	B	C	D	E	F
1~3 kg	15	7	70	6	58	M3 * P0.5
6~15 kg	30	15	130	12	106	M6 * P1
25~35 kg	40	15	130	12	106	M6 * P1