



**TSA**  
TRANSDUCER SENSORS AUSTRALIA



**12 MONTH  
WARRANTY**

# Digital Pressure Controller

## TSA-623PST

### FEATURES:

- All-in-one, Display, Switch, Transmitter
- Simple setpoint adjustment
- 4-digit LED display
- 2 Control relay outputs
- 4~20mA signal output



# Overview

TSA-623PST is an intelligent Pressure Switch (dual relay), Transmitter and Display all in one. It uses an advanced ARM industrial-grade MCU at its core for a fast response, and a high quality pressure sensor element. It can be widely used for industrial pressure control in pumps, hydraulics and pneumatic equipment. TSA-623PST is able to visually process and display pressure with 4 LED digits, and switch the relay contact setpoint set via membrane keys, as well as transmit the 4-20mA analog output signal. By default A1 Relay triggers on a Rising pressure, and A2 Relays triggers on a Falling pressure.

## Specifications

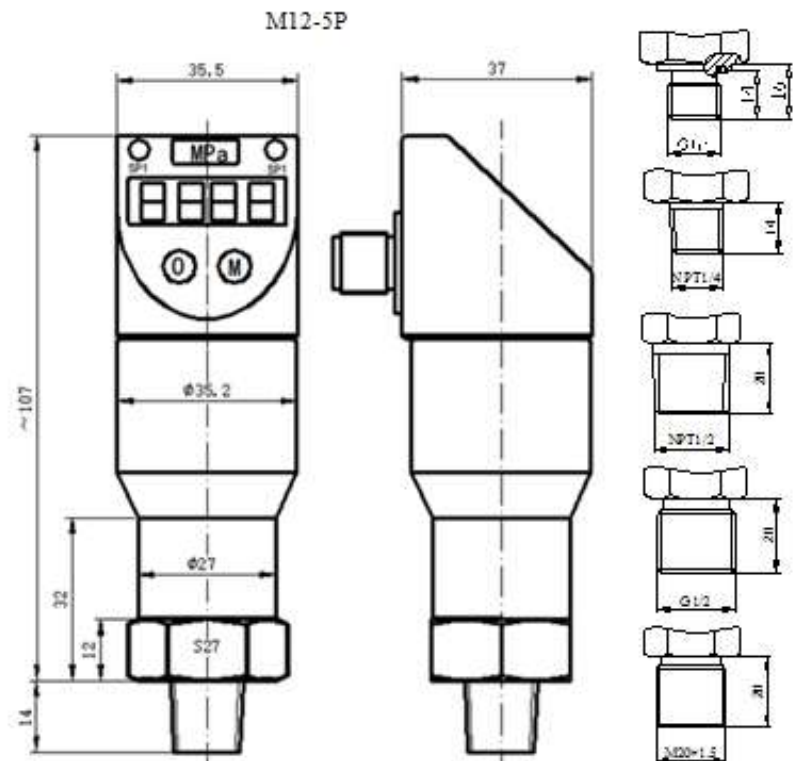
Pressure Range	0 ... 0.07 to 0 ... 1000bar	Over Pressure	≥150%FS
Accuracy at 25°C	±0.5%FS standard, (±0.25%FS and ±1%FS optional)	Long-Term Stability	±0.25%FS/year
Response Time	≤10ms	Operating Temperature	NBR O-Ring default (-20°C~+100°C), (FKM optional (-15°C~+135°C))
Storage Temperature	-20°~60°, but can't beyond the temperature of seal material	Output Signal <sup>Note 1</sup>	4~20mA & Relay Output
Supply Voltage(U)	24VDC default, allowed 24±5VDC	Current Output Load	≤ (U-12) / 0.023 Ω
Relay Output Load	<1A (24VDC)	Overvoltage	32VDC
Reverse Voltage	-30VDC	IP Rating	IP65
Pressure Connector	G1/4 standard (G1/2, M20*1.5, NPT1/2, NPT1/4 optional)	Connector Material	304 Stainless Steel (316L or Titanium optional)
Electrical Connection	M12×1-5P		

## Order Details

TSA-623PST-0001. AB-MR5 (Range 0..0.1bar)  
 TSA-623PST-0010AB-MR5 (0..10bar)  
 TSA-623PST-0025AB-MR5 (0..25bar)  
 TSA-623PST-0050AB-MR5 (0..50bar)  
 TSA-623PST-0100AB-MR5 (0..100bar)  
 TSA-623PST-0250AB-MR5 (0..250bar)  
 TSA-623PST-0500AB-MR5 (0..500bar)  
 TSA-623PST-1000AB-MR5 (0..1000bar)

## Connector Option

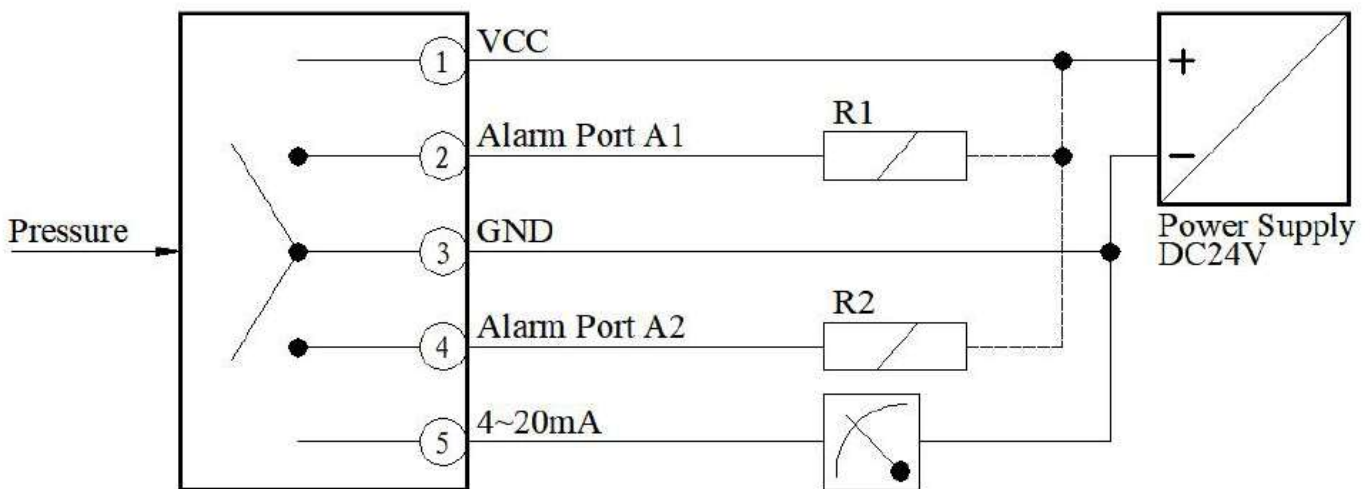
Harting 21033192501



# TSA-623PST

## Connection

Pin	Define
1	VCC
2	Alarm Port A1
3	GND
4	Alarm Port A2
5	4~20mA Output



## Note

4-20mA signal port must be connected to GND if not connected to a mA input port.