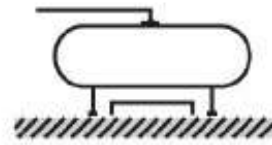
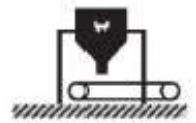




Tester



Tank Scale



Auto Packer

⊙ **FEATURES**

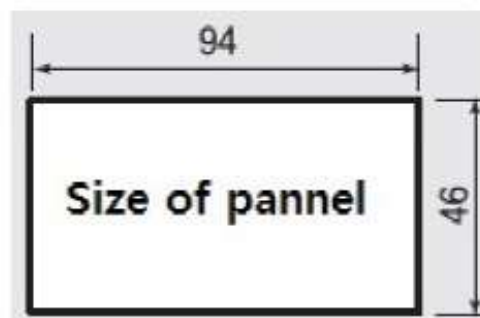
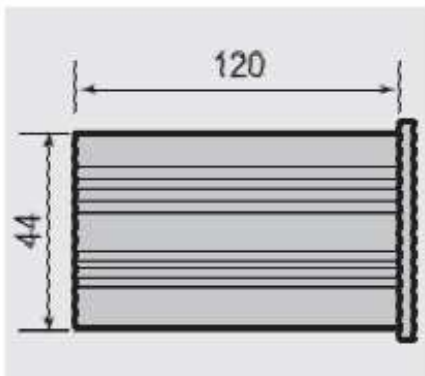
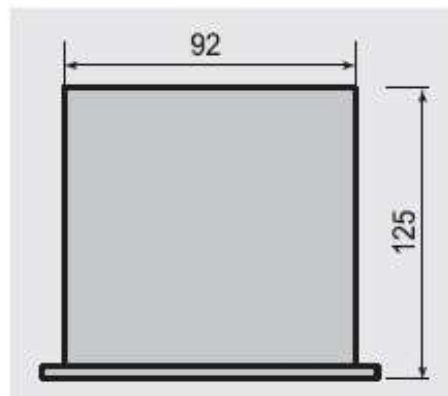
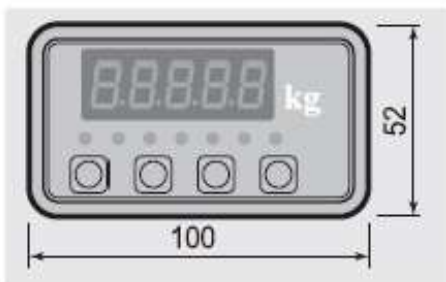
- Industrial weighing controller
- 3pcs control relay output
- High speed A/D Sampling 200 times/sec
- Power input : DC24V 500mA
- RS-232C standard
- 96(W) * 48(H)mm DIN SIZE



⊙ **Option**

- 0~10V , 4~20mA
- RS-422 /485 interface

⊙ **DIMENSIONS**



◎ SPECIFICATIONS

Analog part	Input Sensitivity	min 0.3 μ V/Digit
	LOAD CELL Excitation Voltage	DC 10V (\pm 5V)
	Nonlinearity	0.01% of Full Scale
	A/D conversion speed	200times/sec
	A/D resolution	520,000 (19bit)
Display part	Main	7segment , 5 digit red high brightness for illumination LED display letter size : 12.7(H) \times 7.3(W) mm
	Below Zero	(-)
Basic	Power Input	DC 24V (without polarity) approx 500mA
	Operating Temp	-5 $^{\circ}$ C ~ 40 $^{\circ}$ C
	Size / Weight	100(W) \times 52(H) \times 125(D) mm / approx 460g
	Signal format	RS-232C standard
	External Input Selection	ZERO,TARE
	Relay Output	3 pcs control
OPTION	OP-1	RS-422
	OP-2	4~20mA
	OP-3	0~10V