



Main

| | |
|---------------------------|-------------------|
| Range of product | Zelio Relay |
| Product or component type | Solid state relay |
| Device short name | SSM1 |
| Number of phases | 1 phase |

Complementary

| | |
|-------------------------------------|--|
| Mounting support | Symmetrical DIN rail |
| [In] rated current | 45 A |
| Output voltage | 48...660 V AC |
| [Uc] control circuit voltage | 4...32 V DC |
| Contacts type and configuration | 1 NO |
| Tightening torque | Input : 0.6...0.7 N.m Output : 1.36...1.7 N.m |
| Connections - terminals | Screw terminals : 1 x 0.2...1 x 3.3 mm ² , (AWG 24...AWG 12) for input Screw terminals : 1 x 0.2...1 x 8.4 mm ² , (AWG 24...AWG 8) for output |
| Maximum capacitance | <= 8 pF for input/output |
| Insulation resistance | 1000 MOhm at 500 V DC |
| Local signalling | LED green for input status |
| Switching voltage | 4 V DC turn-on 1 V DC turn-off |
| Input current | 14...17 mA |
| Solid state output type | SCR output Zero voltage switching |
| Load current | 0.15...45 A |
| Transient overvoltage | 1200 V |
| Surge current | <= 625 A for 16.6 ms |
| Voltage drop | 1.7 V on-state |
| Maximum I ² t for fusing | 1620 A ² .s for 8.3 ms |

Disclaimer: This documentation is not intended as a substitute for and is not to be used for determining suitability or reliability of these products for specific user applications

| | |
|----------------------|---|
| Leakage current | <= 1 mA off-state |
| DV/Dt | 500 V/ μ s off-state at maximum voltage |
| Response time | 0.5 cycle turn-on 0.5 cycle turn-off |
| Overvoltage category | III |
| Product weight | 0.476 kg |

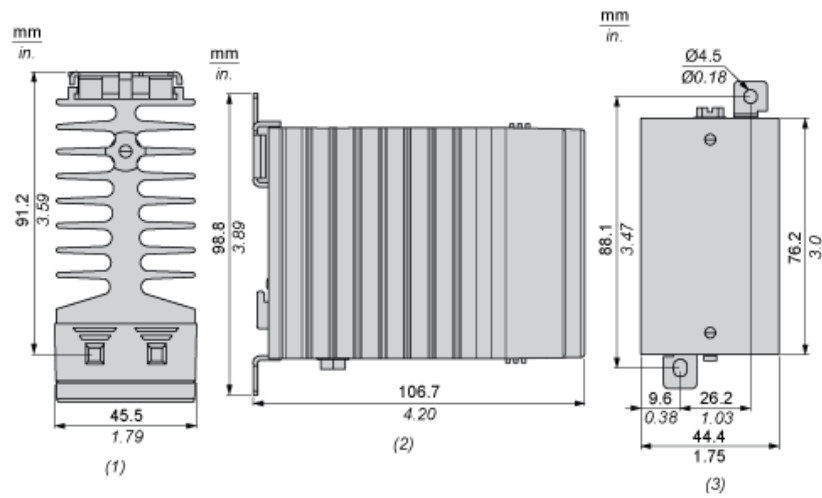
Environment

| | |
|---------------------------------------|---|
| Dielectric strength | 4 kV AC for input/output 4 kV AC for input or output to case |
| Pollution degree | 2 |
| Standards | IEC 60950-1 UL 508 CSA C22.2 No 14 |
| Product certifications | UL EAC CSA |
| Marking | CE UL EAC CSA |
| IP degree of protection | IP20 |
| Ambient air temperature for operation | -40...80 °C |
| Ambient air temperature for storage | -40...125 °C |

Offer Sustainability

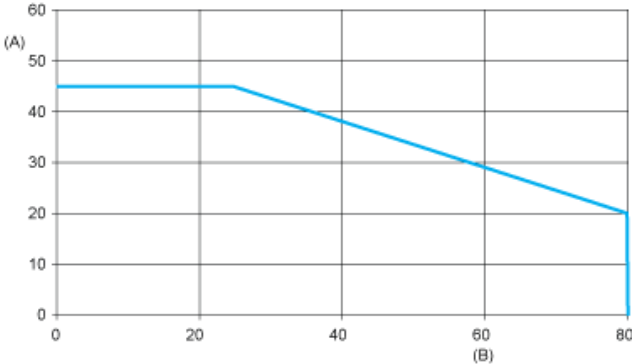
| | |
|----------------------------------|---|
| Sustainable offer status | Green Premium product |
| RoHS (date code: YYWW) | Compliant - since 1522 - Schneider Electric declaration of conformity Schneider Electric declaration of conformity |
| REACH | Reference not containing SVHC above the threshold Reference not containing SVHC above the threshold |
| Product environmental profile | Available Product Environmental Profile |
| Product end of life instructions | Available End of Life Information |

Dimensions



- (1) Top view
- (2) Side view
- (3) Front view

Derating Curves



A : Load Current (Amperes)
B : Ambient Temperature (°C)