



### Main

Range of product	Zelio Relay
Product or component type	Solid state relay
Device short name	SSLM
Network number of phases	1 phase

### Complementary

Mounting support	Symmetrical DIN rail
[In] rated current	3 A
Output voltage	12...280 V AC
[Uc] control circuit voltage	90...280 V AC
Contacts type and configuration	1 NO
Tightening torque	0.6...0.8 N.m
Connections - terminals	Screw terminals : 1 x 0.2...1 x 5.26 mm <sup>2</sup> (AWG 24...AWG 10)
Switching voltage	90 V AC turn-on
Load current	0.1...3 A
Voltage drop	<= 1.65 V on-state
Leakage current	<= 5 mA off-state
Overvoltage category	III
Width	7.5 mm
Height	80 mm
Depth	63 mm
Product weight	0.03 kg

### Environment

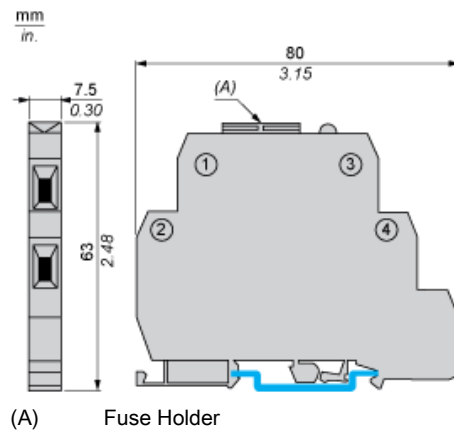
Dielectric strength	4000 V for input/output
Pollution degree	2
Product certifications	UL

	EAC CSA
Marking	UL CSA EAC CE
Ambient air temperature for operation	0...70 °C

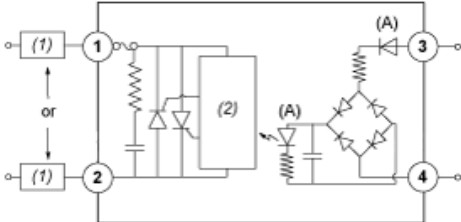
### Offer Sustainability

Sustainable offer status	Green Premium product
RoHS (date code: YYWW)	Compliant - since 1522 - Schneider Electric declaration of conformity <a href="#">Schneider Electric declaration of conformity</a>
REACH	Reference not containing SVHC above the threshold <a href="#">Reference not containing SVHC above the threshold</a>
Product environmental profile	Available <a href="#">Product Environmental Profile</a>
Product end of life instructions	Available <a href="#">End of Life Information</a>

Dimensions



Wiring Diagram



- 1,2 : Field VAC (Supply through Load)
- 3,4 : Input
- (1) Load
- (2) Zero voltage detect
- (A) LED