



Main

Range of product	Zelio Relay
Product or component type	Solid state relay
Device short name	SSLM
Network number of phases	1 phase

Complementary

Mounting support	Symmetrical DIN rail
[In] rated current	0.1 A
Output voltage	4...28 V DC
[Uc] control circuit voltage	90...280 V AC
Contacts type and configuration	1 NC
Tightening torque	0.6...0.8 N.m
Connections - terminals	Screw terminals : 1 x 0.2...1 x 5.26 mm ² (AWG 24...AWG 10)
Switching voltage	90 V AC turn-on
Load current	0.1 A
Voltage drop	<= 0.5 V on-state
Response time	20 ms turn-on 20 ms turn-off
Overvoltage category	III
Width	7.5 mm
Height	80 mm
Depth	63 mm
Product weight	0.03 kg

Environment

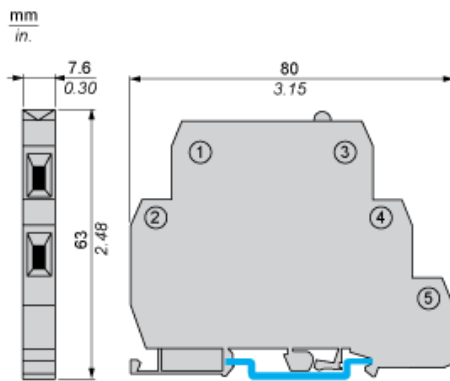
Dielectric strength	4000 V for input/output
Pollution degree	2

Product certifications	UL CSA EAC
Marking	CE CSA UL EAC
Ambient air temperature for operation	0...70 °C

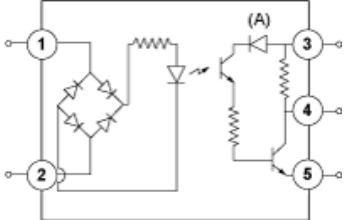
Offer Sustainability

Sustainable offer status	Green Premium product
RoHS (date code: YYWW)	Compliant - since 1522 - Schneider Electric declaration of conformity Schneider Electric declaration of conformity
REACH	Reference not containing SVHC above the threshold Reference not containing SVHC above the threshold
Product environmental profile	Available Product Environmental Profile
Product end of life instructions	Available End of Life Information

Dimensions



Wiring Diagram



- 1,2 : Field VAC
- 3 : Vcc
- 4 : Logic
- 5 : Ground
- (A) LED