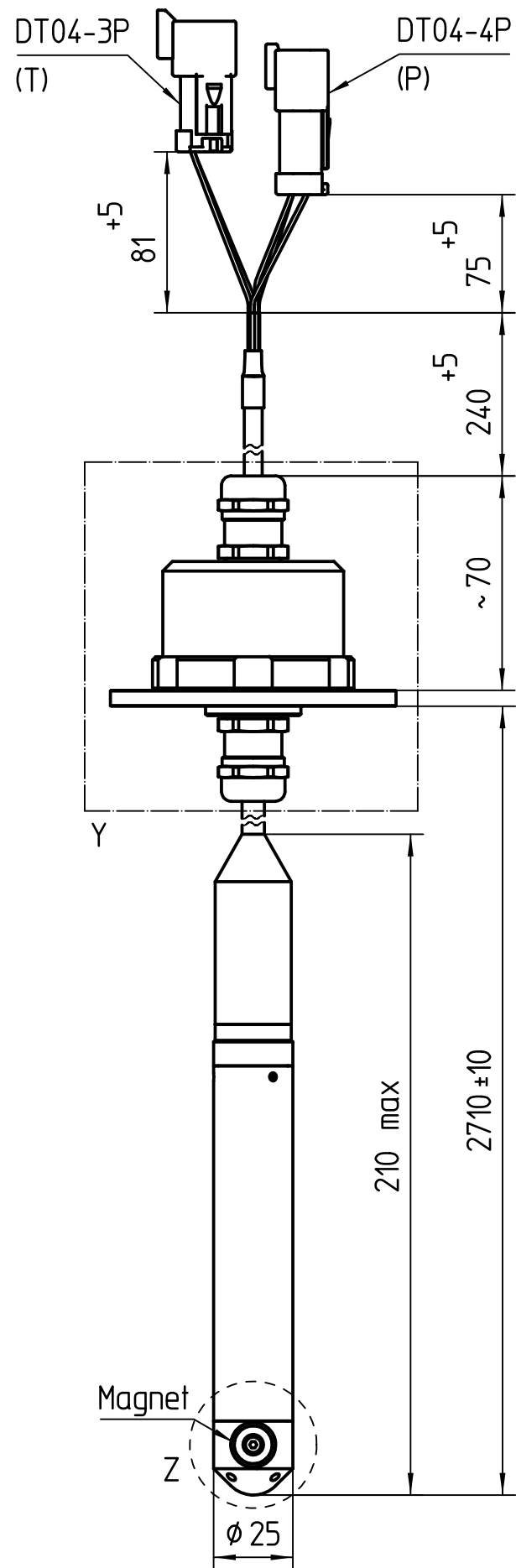
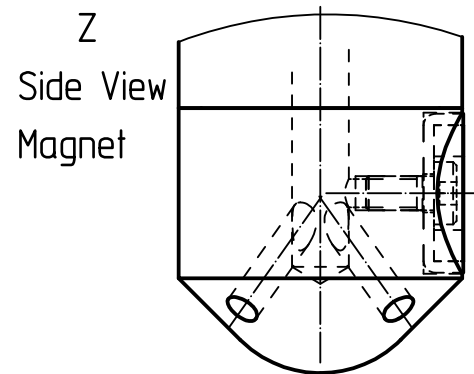
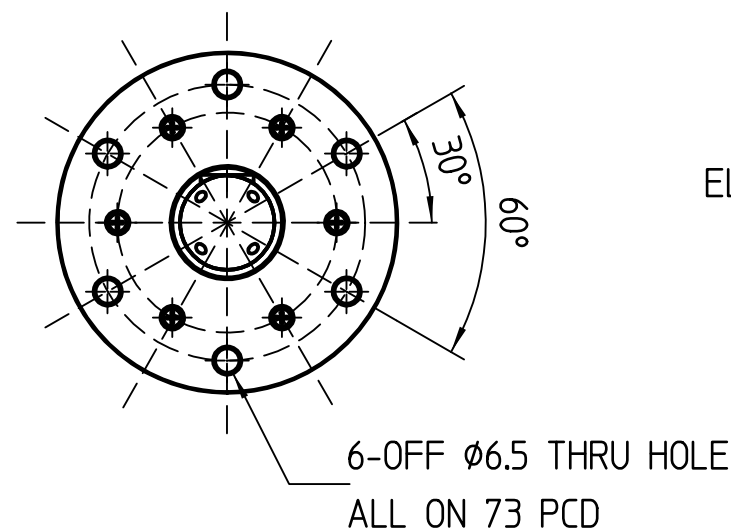
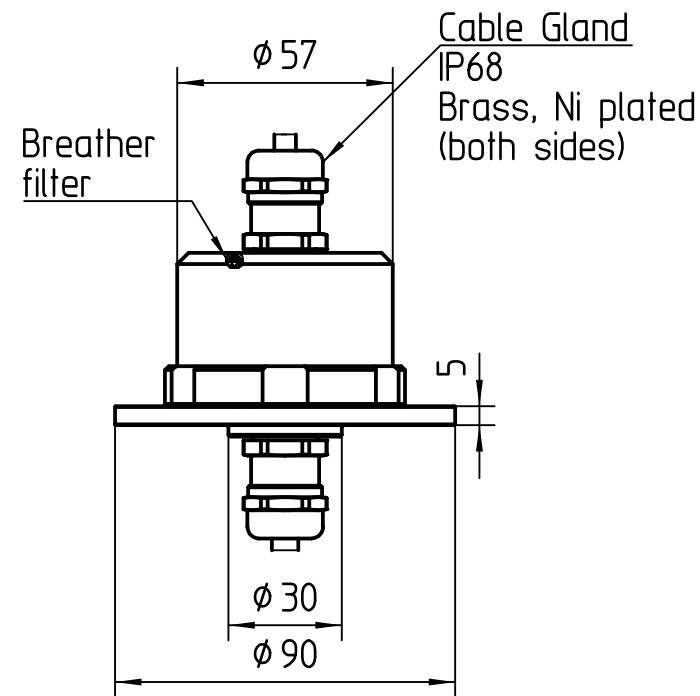


This document is the property of ESI. Without prior agreement of ESI, this document may not be duplicated or given to third parties and it may not be misused in any other way by the recipient or third parties.

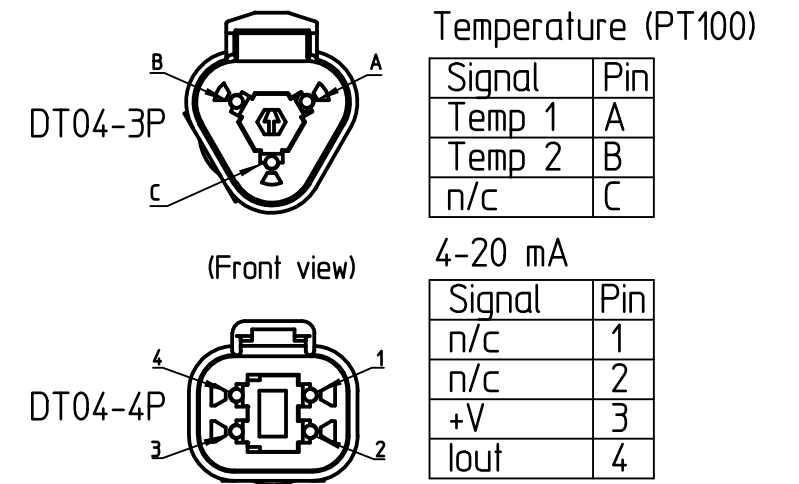


Y Housing Details



Technical Specification

Sensor Technology:	Isolated Piezoresistive Silicon
Output Signal:	Pressure: 4-20 mA, 2 wire Temperature: RTD PT100 DIN EN 60751 class B, 100 Ohm @ 0°C, 2 wire
Supply Voltage:	13 -36 VDC
Pressure Reference:	Vented Gauge
Protection of Supply Voltage:	Protected against supply voltage reversal up to 50 V
Standard Pressure Ranges:	0 - 0.185 bar / 0-18.5 kPa -> 2.2 m Diesel level @ 20°C (68 °F)
Overpressure Safety:	2x
Accuracy NLHR:	<= ±0.3 % of span BFSL
Zero Offset and Span Tolerance:	±0.5% FS at room temperature
Operating Ambient Temperature:	-20 °C...+60 °C (-4 °F ...+140 °F) up to +70°C, not prolonged duration
Operating Media Temperature:	Media must not freeze around the sensor
Storage Temperature:	+5 °C...+40 °C (+41 °F...+104°F) Recommended Best Practice
Temperature Effects:	±2.0% FS total error band for -20 °C...+60 °C. Typical thermal zero and span coefficients ±0.04%FS/°C
Electromagnetic Compatibility:	Emissions: EN61000-6-3; Immunity: EN61000-6-2; Certification: CE Marked
Insulation Resistance:	> 100 MOhm @ 50 VDC
Wetted Parts:	Housing, diaphragm and flange SAE 316, PU cable and NBR O-Ring Cable gland nickel plated brass
Pressure Media:	All fluids compatible with SAE 316 stainless steel, PU and nitrile (NBR)
Pressure Connection:	Stainless steel nose cone with radial pressure inlets and magnet
Electrical Connection:	Black PU cable, connectors Deutsch DT04-3P (T) and DT04-4P (P)



ELECTRICAL CONFIGURATION

Electrical Connector - Details				
Manufacturer	Type	Housing	Wedge	Pin
Deutsch/TE	DT04-3P	DT04-3P-E005	W3P	0460-202-16141
	DT04-4P	DT04-4P-E005	W4P	

				DRAWN	PK	DATE	24/04/18	TITLE PRESSURE TRANSMITTER SUBMERSIBLE
				CHECKED	MJ	DATE	29/10/18	
				MATERIAL				DRAWING No PR3441K1.85FZ-003
				SPECIFICATION / CLASSIFICATION				
01	ECN18-062	29/10/18	DM					SHEET 1 OF 1
REV	C.N-No.	DATE	NAME	SCALE	1:2	ESI Technology Ltd Sensor House, Wrexham Technology Park LL13 7YP Wrexham, UK		