

CDSB-BS

Truck & Tank weighing load cell 5, 10, 15 tf

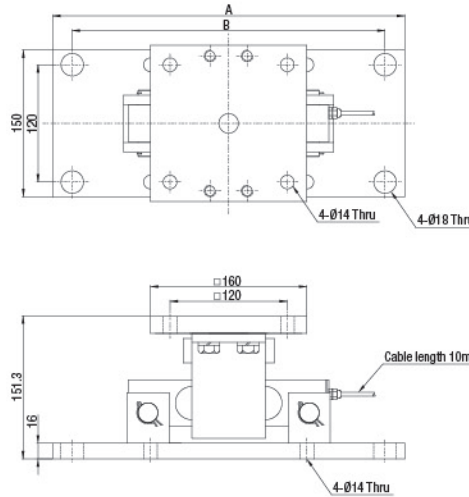
www.curiotec.com

FEATURES

Robust design and easy installation
Strong against shock or side force



DIMENSIONS



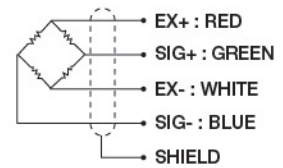
| Option | A | B |
|----------|-----|-----|
| CDSB-BS1 | 240 | 160 |
| CDSB-BS2 | 360 | 320 |

ACCESSORY FEATURES

Appropriate for tank and truck scale application
High resolution by use of ball
Structurally safe design
High durability
Suitable for moisture environments

MANUAL

check the load cell level with the surface



SPECIFICATIONS

| Max. Capacity | | tf | 5, 10, 15 |
|-------------------------|--------------|----------|---------------|
| Rated output | | mV/V | 2.0 ± 0.004 |
| Zero balance | | mV/V | 0.0 ± 0.03 |
| Combined error | | %RO | 0.03 |
| Repeatability | | %RO | 0.02 |
| Creep(30min.) | | %RO | 0.03 |
| Temperature effect on | Zero value | %RO/10°C | 0.03 |
| | Output value | %RO/10°C | 0.015 |
| Excitation | Recommended | V | 10 |
| | Maximum | V | 15 |
| Resistance | Input | Ω | 800 ± 50 |
| | Output | Ω | 700 ± 7 |
| | Insulation | MΩ | >2,000@50V DC |
| Compensated temp. range | | °C | -10 ~ +40 |
| Operating temp. range | | °C | -20 ~ +80 |