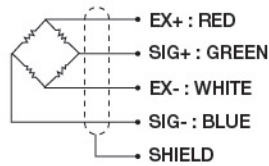


CHTC

Tension Load Cell **10, 20, 30, 50 tf**

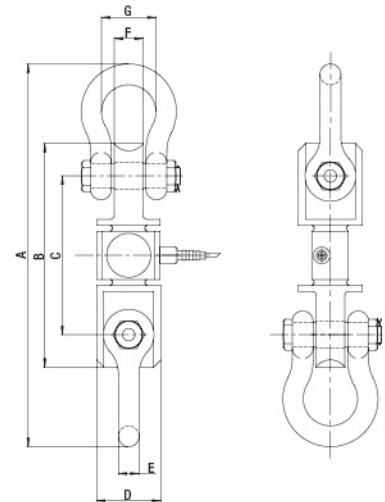
www.curiotec.com



Background of development

- 1) Easy installation of loadcell
- 2) Convenient assembly of shackle and loadcell
- 3) Measurement for every industrial tensile load
- 4) Needs for the choice of various capacities

DIMENSIONS



DIMENSIONS

Capacity	A	B	C	ØD	E	F	G	SHACKLE
10tf	522	310	220	87	28	40	74	B.B(1-1/8")
20tf	796	400	285	120	45	70	127	B.B(1-3/4")
30tf	868	428	288	120	50	75	146	B.B(2")
50tf	1106	508	342	145	67	98	184	B.B(2-1/2")

*Special Order Made : 70tf~200tf

SPECIFICATIONS

Max. Capacity	tf	10, 20, 30, 50tf
Rated output	mV/V	2.0 Nominal
Zero balance	mV/V	0 ± 0.2
Combined error	%RO	0.03
Repeatability	%RO	0.02
Creep(30min.)	%RO	0.03
Temperature effect on		
Zero value	%RO/10°C	0.03
Output value	%RO/10°C	0.03
Excitation		
Recommended	V	10
Maximum	V	15
Resistance		
Input	Ω	760 ± 40
Output	Ω	700 ± 7
Insulation	MΩ	> 2,000
Compensated temp. range	°C	-10 ~ +40
Operating temp. range	°C	-20 ~ +80