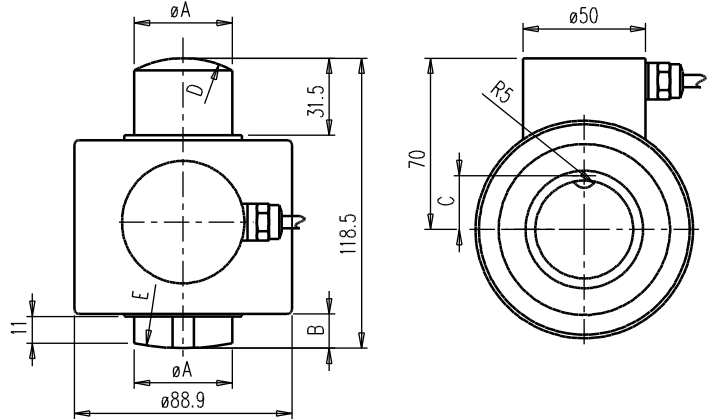


# CSC-C3

## COMPACT STAINLESS COMPRESSION

- Fully sealed stainless steel load cell
- C3 grade and sealed to IP68 standards
- Ideal for tanks, hoppers, silo weighing
- Range of mountings available



Model	Order	A	B	C	D	E	Weight(kg)
CSC-C3-0.5t	CSC0500S000XXX	40.0	14.0	22.0	R37.5	R150	2.5
CSC-C3-1t	CSC1000S000XXX	40.0	14.0	22.0	R37.5	R150	2.5
CSC-C3-2t	CSC2000S000XXX	40.0	14.0	22.0	R37.5	R150	2.5
CSC-C3-3t	CSC3000S000XXX	40.0	14.0	22.0	R37.5	R150	2.5
CSC-C3-5t	CSC5000S000XXX	40.0	14.0	22.0	R37.5	R150	2.5
CSC-C3-10t	CSC010TS000XXX	40.0	14.0	22.0	R37.5	R150	2.5
CSC-C3-20t	CSC020TS000XXX	40.0	14.0	22.0	R37.5	R150	2.5
CSC-C3-25t	CSC025TS000XXX	40.0	14.0	22.0	R37.5	R150	3.0
CSC-C3-30t	CSC030TS000XXX	40.0	14.0	22.0	R37.5	R150	3.0
CSC-C3-40t	CSC040TS000XXX	50.0	21.0	28.0	R200	R200	3.5
CSC-C3-50t	CSC050TS000XXX	50.0	21.0	28.0	R200	R200	3.5

### Specifications

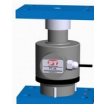
Signal Output at Capacity.....	2±0.002 mV/V	Service Load.....	100% Capacity
Linearity Error.....	< 0.020% FSO	Safe Load.....	150% Capacity
Non-Repeatability.....	< 0.020% FSO	Ultimate Load.....	300% Capacity
Combined Error.....	< 0.020% FSO	Input Resistance.....	700Ω ± 7Ω
Hysteresis.....	< 0.020% FSO	Output Resistance.....	703Ω ± 4Ω
Creep/(30 mins.).....	< 0.016% FSO	Insulation Resistance.....	> 5000 MΩ (@50 VDC)
Zero Balance.....	< 1.0 % Capacity	Excitation Voltage(Rec.).....	5~12 V AC/DC
Temperature Effect on Span(/10C).....	< 0.011% FSO	Excitation Voltage(Max.).....	18 V DC
Temperature Effect on Zero(/10C).....	< 0.015% FSO	Cable.....	15m, 5mm dia.
Compensated Temperature Range.....	-10 ~ 40 C	.....	4 core shielded
Operating Temperature Range.....	-35 ~ 65 C	Material.....	Stainless Steel
Storage Temperature Range.....	-50 ~ 65 C	Sealing.....	IP68 welded sealed

Cable Wiring: Excitation +ve = Red

Excitation -ve = Black

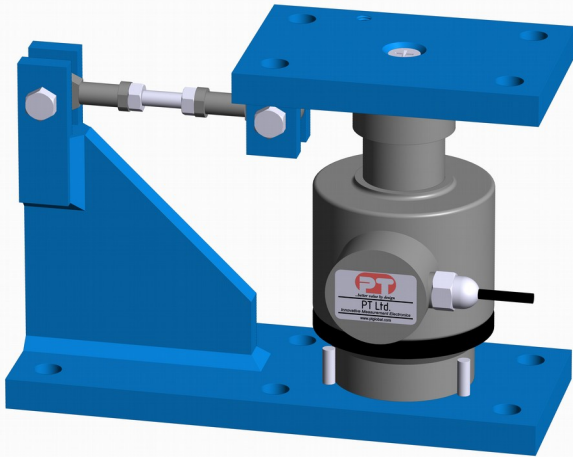
Signal +ve = Green

Signal -ve = White



# CSC-C3 Installations

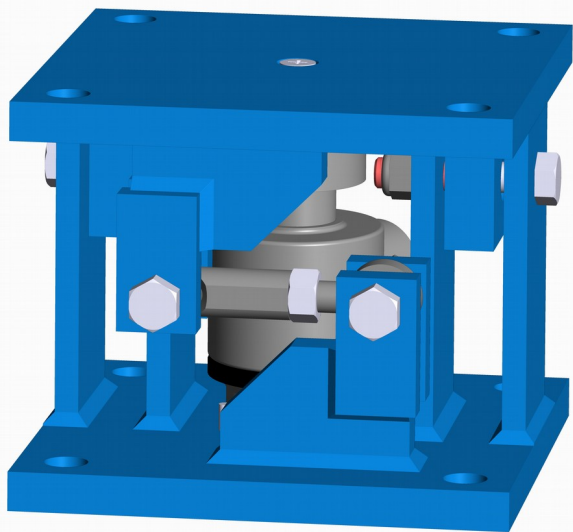
The CSC is conveniently installed with a range of standard mountings as illustrated below.



In the diagram to the left showing the CSC in a Type 1 Mounting the CSC is able to move in one direction to accommodate expansion, but is restrained at 90 degrees against lateral loading. The Type 1 mount is ideal for tanks and hoppers. It is easily installed and protected with a durable 2 coat paint system meeting ISO12944/C4, medium exposure, for extended life.

To order use part number **M-CSC1**, comprising the restraining mount and two receptors, the load cell and earth strap are ordered separately.

The ultimate restraining capacity is 20kN laterally in the longitudinal direction.



In the diagram to the left showing the CSC in a Type 2 Mounting the CSC is able to move in one direction to accommodate expansion as above, but is prevented from moving too far and is restrained at 90 degrees against lateral loading and has uplift restraint. The Type 2 mount is ideal for tanks and hoppers with higher loading or overturning potential. It is easily installed and protected with a durable 2 coat paint system meeting ISO12944/C4, medium exposure, for extended life.

To order use part number **M-CSC2**, comprising the restraining mount and two receptors, the load cell and earth strap are ordered separately.

The ultimate restraining capacity is 50kN laterally and 100kN in uplift.

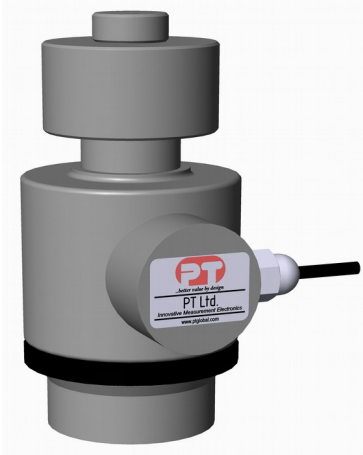
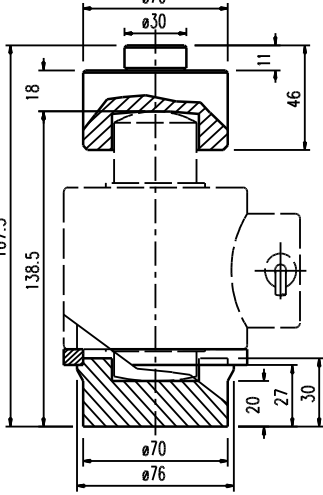
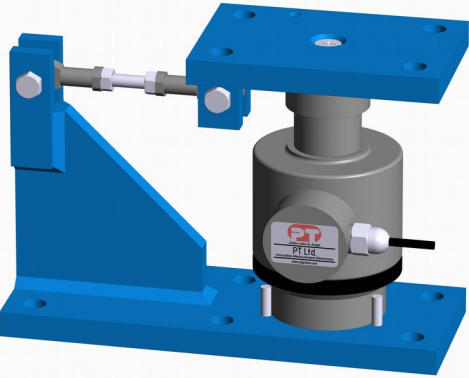
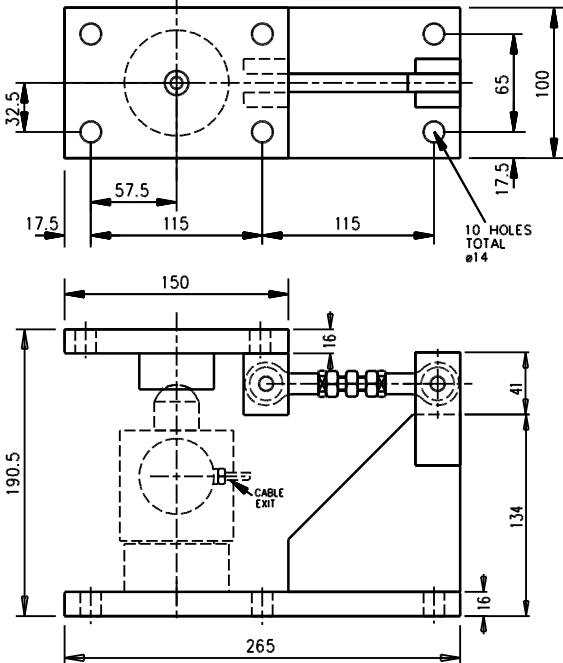
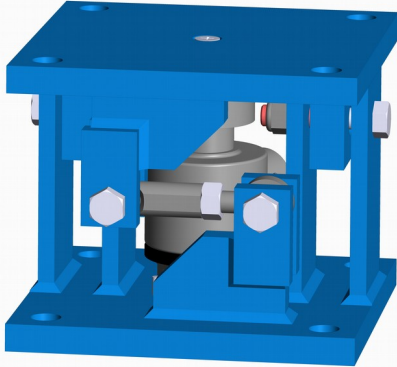
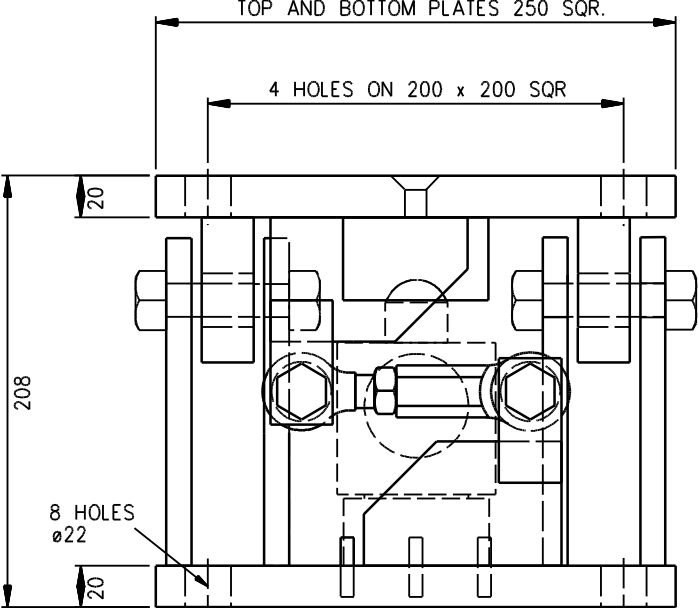


In the diagram to the left showing the CSC in a Type 3 Mounting the CSC is able to move in any direction to accommodate expansion as above. The Type 3 mount is ideal for tanks and hoppers where restraint is provided by a Type 1 or 2 mount fitted to other supports or other restraining methods are used. It is easily installed and protected with a durable 2 coat paint system meeting ISO12944/C4, medium exposure, for extended life.

To order use part number **M-CSC3**, comprising the restraining mount and two receptors, the load cell and earth strap are ordered separately.

# CSC-C3 Accessories

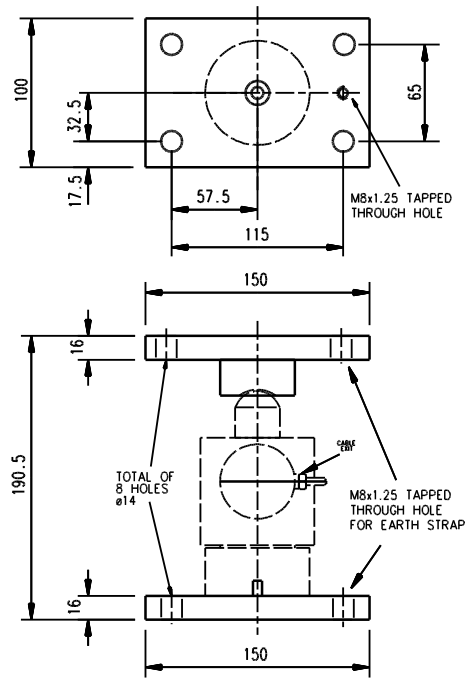
\*Load cell ordered separately, part (order) numbers are for the items shown in the pictures.

<p><b>Capacity</b> 0.5t~30t</p> <p><b>Order*</b> M-CSC0-30</p> <p><b>Weight(kg)</b> 2.5</p> <p><b>Capacity</b> 40t~50t</p> <p><b>Order*</b> M-CSC0-50</p> <p><b>Weight(kg)</b> 2.5</p>	<p><b>Receptors (set of 2)</b></p> 	
<p><b>Capacity</b> 0.5t~30t</p> <p><b>Order*</b> M-CSC1-30</p> <p><b>Weight(kg)</b> 11.5</p> <p><b>Capacity</b> 40t~50t</p> <p><b>Order*</b> M-CSC1-50</p> <p><b>Weight(kg)</b> 11.75</p>	<p><b>CSC Mount Type 1</b></p>  <p>Note: Mounting also common to some SSC</p>	
<p><b>Capacity</b> 0.5t~30t</p> <p><b>Order*</b> M-CSC2-30</p> <p><b>Weight(kg)</b> 21.5</p> <p><b>Capacity</b> 40t~50t</p> <p><b>Order*</b> M-CSC2-50</p> <p><b>Weight(kg)</b> 21.75</p>	<p><b>CSC Mount Type 2</b></p>  <p>Note: Mounting also common to some SSC</p>	

<b>Capacity</b> 0.5t~30t
<b>Order*</b> M-CSC3-30
<b>Weight(kg)</b> 3.5
<b>Capacity</b> 40t~50t
<b>Order*</b> M-CSC3-50
<b>Weight(kg)</b> 3.75



Note: Mounting also common to some SSC



<b>Capacity</b> 10t~50t
<b>Order*</b> A-HPCETH
<b>Weight(kg)</b> 0.5

**Earth Strap**



Note: Also common to other models

