



FEATURES

- Slim shear beam load cell
- Protection class IP66

Material

- Nickel plated steel

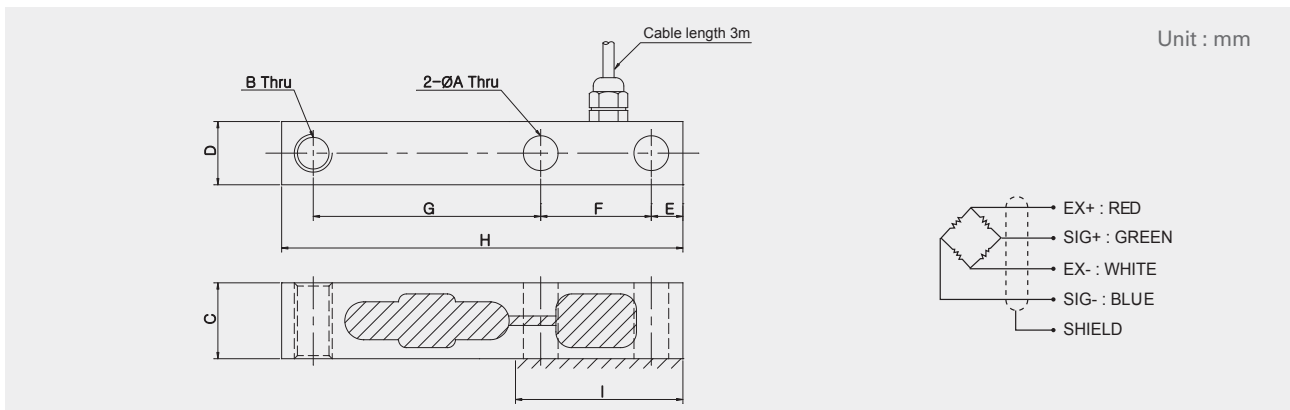
Cable

- Braided shield 4-wire round cable with PVC - jacket

Mounting

- Socket - head cap screw
- M10 x 1.5(10.9)
- Tightening torque : 29Nm

DIMENSIONS



Model	Capacity	A	B	C	D	E	F	G	H	I
CBSM - 100L	100 kgf	11	M12x 1.75	20	20	10	35.0	72.0	127	53
CBSM - 250L	250 kgf	11	M12x 1.75	24	20	10	35.0	72.0	127	53
CBSM - 500L	500 kgf	11	M12x 1.75	24	20	10	35.0	72.0	127	53
CBSM - 1T	1 tf	11	M12x 1.75	24	20	10	35.0	72.0	127	53

SPECIFICATIONS

Max. Capacity		kgf	100, 250, 500, 1000 kgf
Rated output		mV/V	2.0 ± 0.005
Zero balance		mV/V	0 ± 0.2
Combined error		%RO	0.03
Repeatability		%RO	0.015
Creep (30min.)		%RO	0.03
Temperature effect on	Zero value	%RO/10°C	0.03
	Output value	%RO/10°C	0.015
Excitation	Recommended	V	10
	Maximum	V	15
Resistance	Input	Ω	400 ± 50
	Output	Ω	350 ± 3.5
	Insulation	MΩ	> 2,000 @50V DC
Compensated temp. range		°C	-10 ~ +40
Operating temp. range		°C	-20 ~ +80