

Contactless Hall-IC Angle Sensor

CP-45H Series

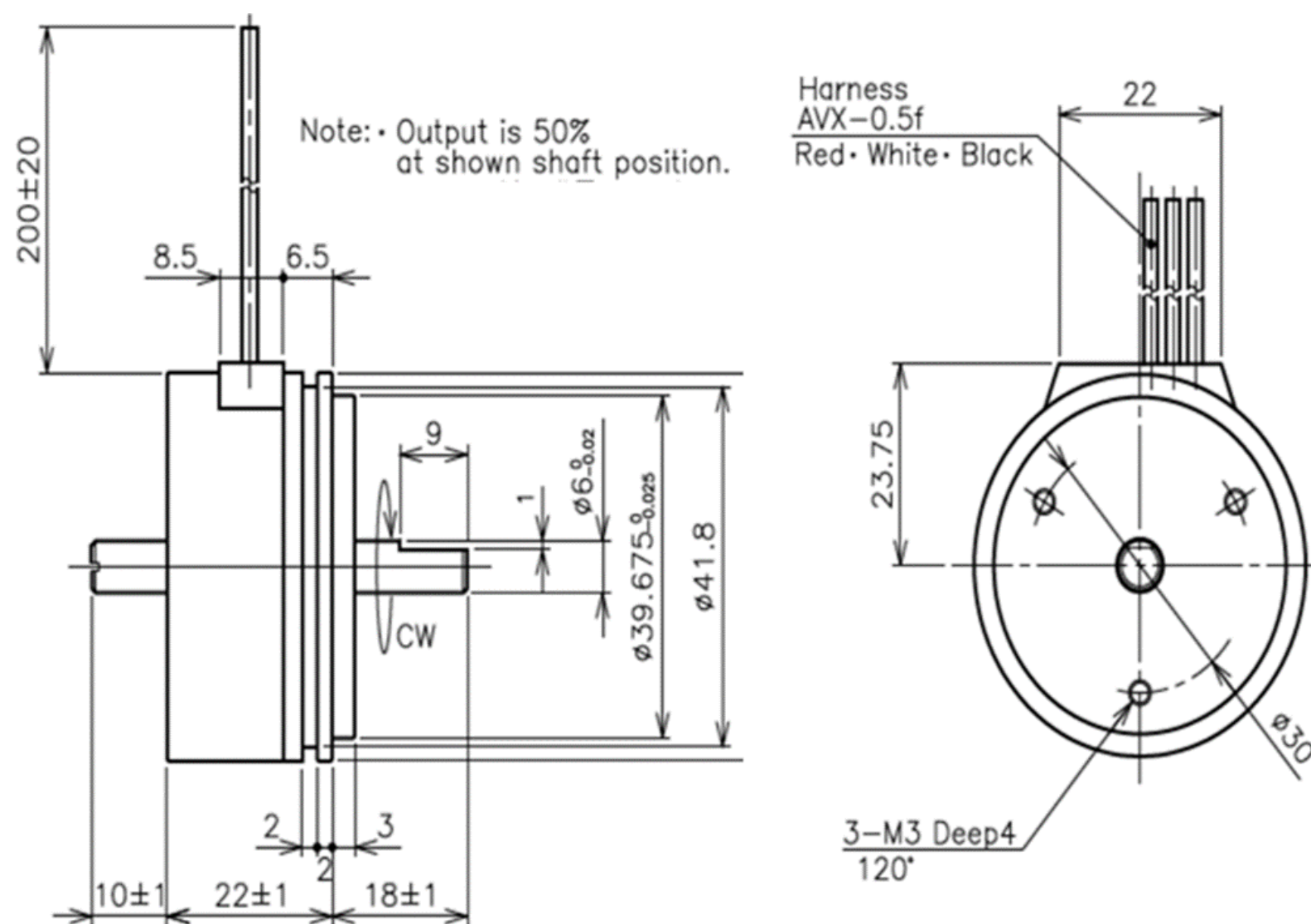


- Contactless Hall-IC Angle Sensor
- Effective Electrical Travel : 360°
- Absolute Linearity : ±0.4%FS
- Input Voltage : DC5±0.5V
- Output Range : 10% ~ 90%Vin

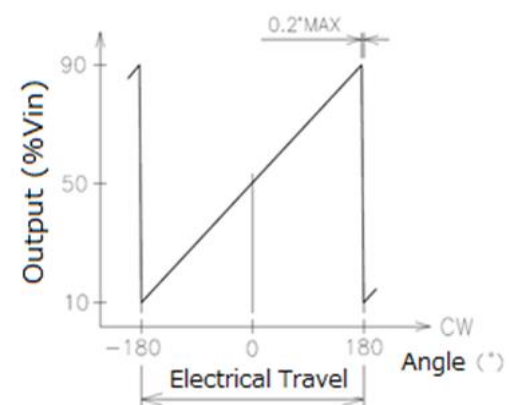
[Material]

- Housing : Aluminum
- Shaft : Stainless Steel

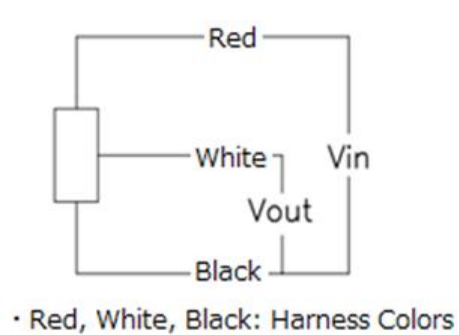
■ Dimension (mm)



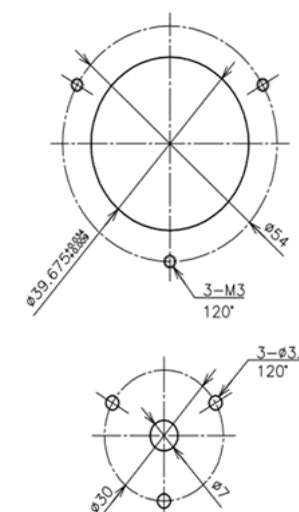
■ Output Characteristics



■ Schematic

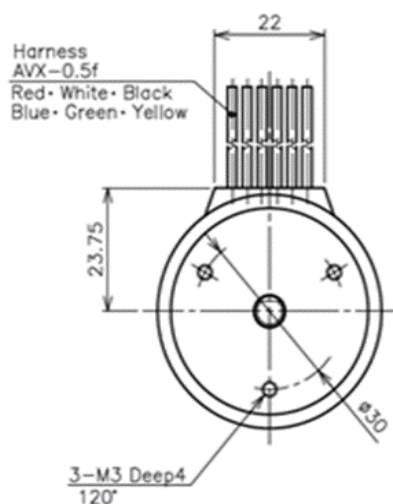


■ Mounting

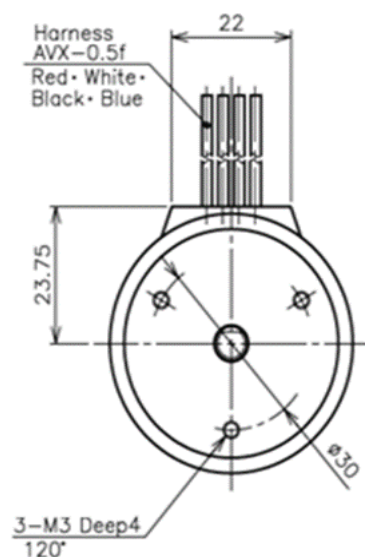


■ **Dimension (mm)**

Dual Output, 6 wires

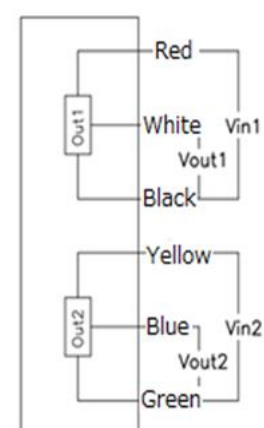


Dual Output, 4 wires



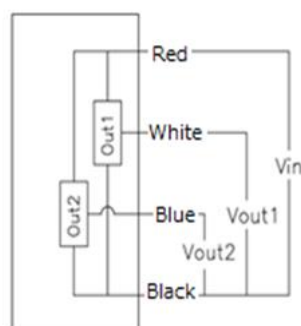
■ **Schematic**

Dual Output, 6 wires



Each color indicate harness colors

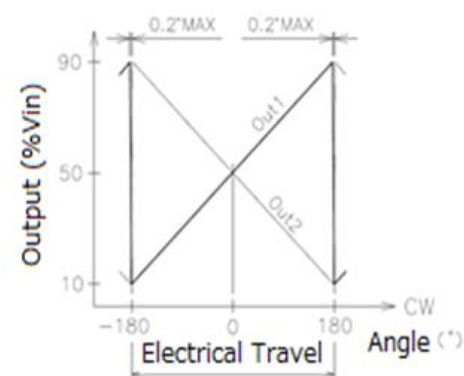
Dual Output, 4 wires



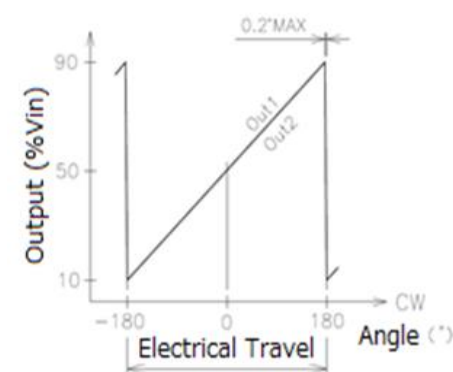
Each color indicate harness colors

■ **Output Characteristics**

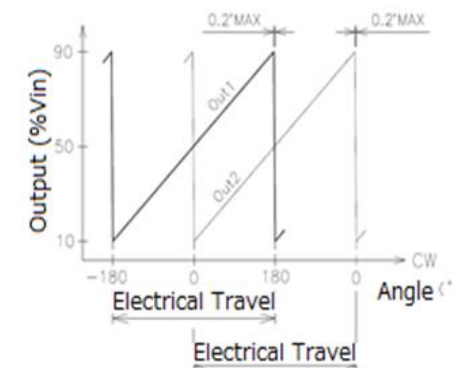
CP-45HC Cross Output



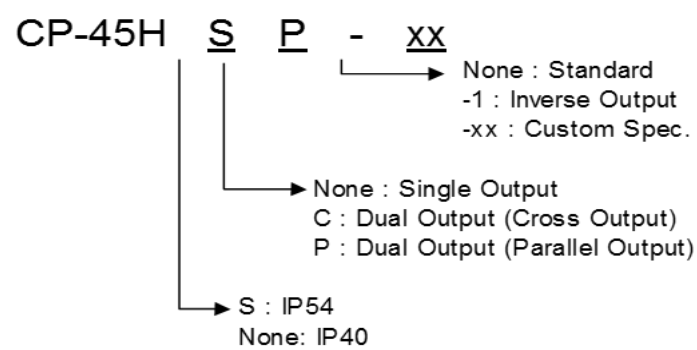
CP-45HP Parallel Output



CP-45HP 180° Phase Output



■ **CP-45H Model Number Designation**



[Model No.]	CP-45H	CP-45HS	CP-45HC	CP-45SC	CP-45HP	CP-45HSP
-------------	--------	---------	---------	---------	---------	----------

Electrical Specifications						
Effective Electrical Travel	360°					
Output Range	10 ~ 90 %Vin					
Absolute Linearity	± 0.4 %FS					
Input Voltage	DC 5 V ± 0.5V					
Load Resistance	10KΩ MIN.					
Supply Current	10 mA MAX. /1ch					
Insulation Resistance	100 MΩ MIN. DC 50V					
Output Resolution	12 bit (Shaft Rotational Speed 20rpm MAX.)					
Response Time	0.9ms MAX.					
Hysteresis	± 0.2 %FS MAX.					
Temp. Characteristics -40 ~ 100°C (Ref.Temp. 25°C)	± 1.08° MAX.					
Dual Output Difference	---	100 ± 1.5%Vin (Sum 1 and 2)			± 1.5 %Vin	

Mechanical Specifications						
Total Mechanical Travel	360° endless					
Torque	1.8 mN · m	30 mN · m	1.8 mN · m	30 mN · m	1.8 mN · m	30 mN · m
Thrust Load Tolerance	2 N					
Radial Load Tolerance	6 N					
Mass	Approx. 100g					

Environmental Specifications						
Life Cycles	10 M Cycles (Room Temp., No load, CW / CCW)					
Category Temp. Range	-40 ~ +100 °C (No condensation)					
Storage Temp. Range	-40 ~ +100 °C (No condensation)					
Vibration	5 ~ 500 Hz (6min) 200m/S ² (20G) 3 directions 4 hours each					
Shock	1000 m/S ² (100G) 6 directions 3 times					
EMS	100V/m 1M ~ 1GHz (ISO 11452)					
ESD (Case to each terminals)	± 15 kV MAX. (IEC 61000-4-2)					
ESD (Between each terminals)	± 15 kV MAX. (IEC 61000-4-2)					
IP Level	IP 40	IP 54	IP 40	IP 54	IP 40	IP 54

■ OPTIONS

- Effective Electrical Travel : 90° ~ 360°
- Inverse Output

■ Handling Instruction

- Do not use Hall-IC sensor as a variable resistor.
- This products may be influenced from external magnetic field.
- Use this sensor in the place where is protected from ESD.